

LED Basic-Tape S

Self-adhesive flexible LED strips with silicone compound



Connection:

LED-transformer DC 24 V

Life:

L70/B10 ≥ 40,000 hours

Energy efficiency:

LED 94 lm/W; luminaire: **630 lm/m** (79 lm/W); this luminaire contains built-in, not changeable LED lamps of the energy efficiency class A to A++

Colour rendering:

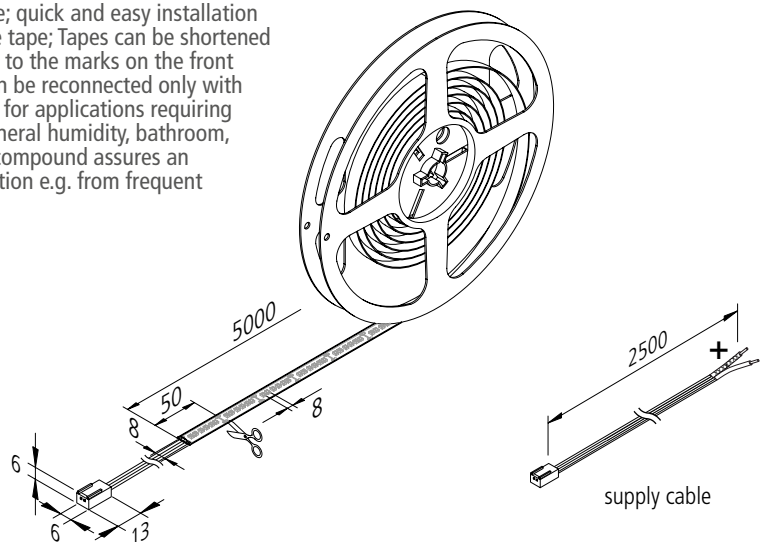
Ra/CRI > 84

Special features:

max. 6 m on one supply cable; quick and easy installation due to double-sided adhesive tape; Tapes can be shortened at 50 mm intervals according to the marks on the front side; afterwards the Tapes can be reconnected only with soldering; with IP54, suitable for applications requiring higher ingress protection (general humidity, bathroom, kitchen, shops). The silicone compound assures an additional mechanical protection e.g. from frequent cleaning work



LED Basic-Tape S			
	120°	ww	nw
0,5m	∅ 610	1024 lx	1024 lx
1,0m	∅ 1220	256 lx	256 lx
1,5m	∅ 1830	114 lx	114 lx
2,0m	∅ 2440	64 lx	64 lx
2,5m	∅ 3050	41 lx	41 lx



Article No.	Description	Illustration	Features	Weight
202 026 312 02	LED Basic-Tape S 5m 600 LED 40W ww		<ul style="list-style-type: none"> supply cable 2,5 m with LED 24 plug colour appearance ww (warm white) approx. 3000 K or nw (neutral white) approx. 4000 K with silicone compound (IP 54) 	80 g
202 026 312 03	LED Basic-Tape S 5m 600 LED 40W nw			80 g
215 300 725 01	Supply cable LED Tape 2500mm		<ul style="list-style-type: none"> with tinned ends for soldering max. 48 W 	20 g
Accessories:	Profiles page 42 / transformers from page 132			