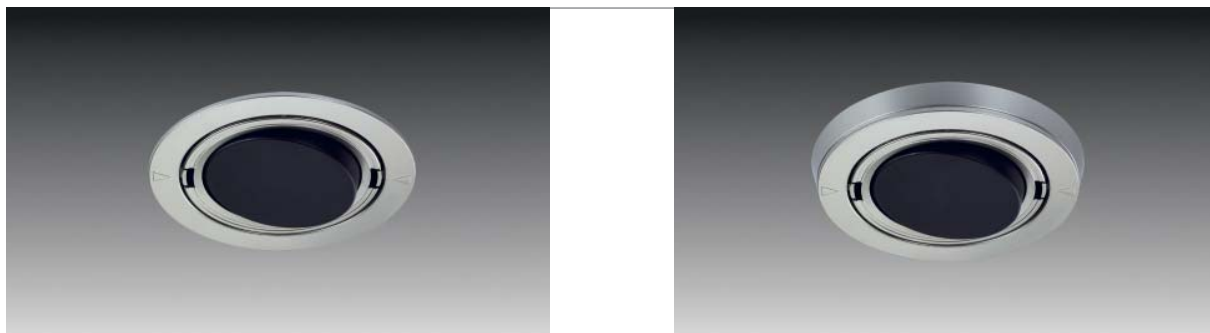


ARF Switch

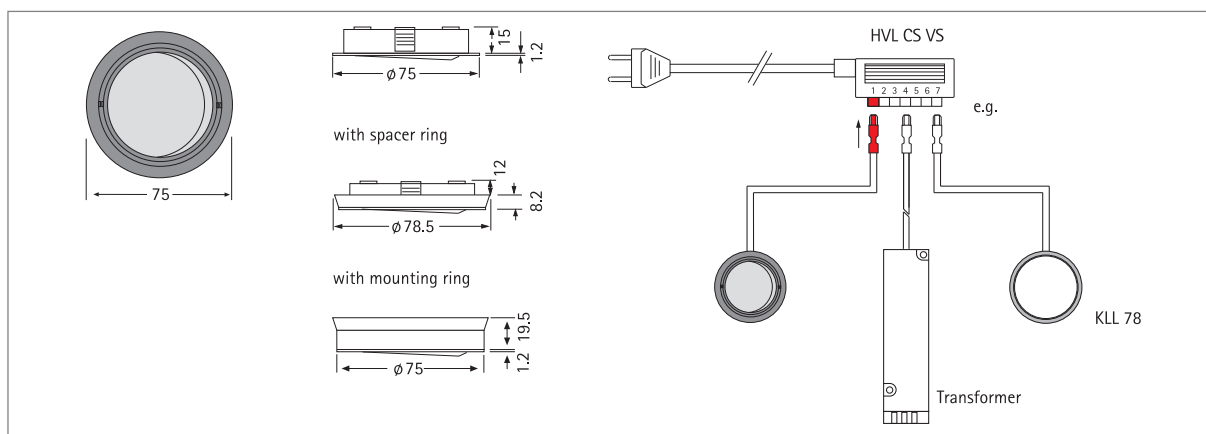
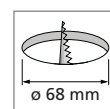


LED Transformers
Halogen Transformers
Plug-in Systems
Switches/Dimmer/Sockets
Lamps



Rocker Switch in ARF Design

- Connection: 250V
- Current carrying capacity 2.5A
- Available in chrome, matt chrome and stainless steel
- Includes 2m cable and coded HVLCS plug
- Includes 2m mains cable with 6-way coupling



Article No.	Description	Illustration	Features	Approx. weight
515 000 511 04	Rocker switch ARF chrome		<ul style="list-style-type: none"> • 2m cable and coded HVLCS plug • incl. mains cable 2m with 6-way coupling 	100 g
515 000 511 06	Rocker switch ARF matt chrome			100 g
515 000 511 08	Rocker switch ARF stainless steel			100 g
205 020 108 02	Spacer ring (K105) chrome		<ul style="list-style-type: none"> • reduces the installation depth to 12mm 	4 g
205 020 108 12	Spacer ring (K105) matt chrome			4 g
205 020 108 08	Spacer ring (K105) stainless steel			4 g
515 000 370 04	Mounting ring (K106) chrome		<ul style="list-style-type: none"> • incl. screws 	14 g
515 000 370 06	Mounting ring (K106) matt chrome			14 g
515 000 370 08	Mounting ring (K106) stainless steel			14 g
615 002 015 07	Transformer Vega K 70 with 2m HVLCS plug		<ul style="list-style-type: none"> • 20 – 70W (further information on page 118) 	190 g
615 002 016 07	Transformer MBL/F 60 with 2m HVLCS plug		<ul style="list-style-type: none"> • 10 – 60W (further information on page 117) 	195 g
615 002 010 18	Transformer Puma 105 with 2m HVLCS plug		<ul style="list-style-type: none"> • 20 – 105W (further information on page 121) 	200 g
615 002 019 03	Transformer MBL/F 105 with 2m HVLCS plug		<ul style="list-style-type: none"> • 35 – 105W (further information on page 120) 	205 g
215 440 702 01	HVLCS adapter cable with Euro coupling and HVLCS plug 0,2 m			20 g