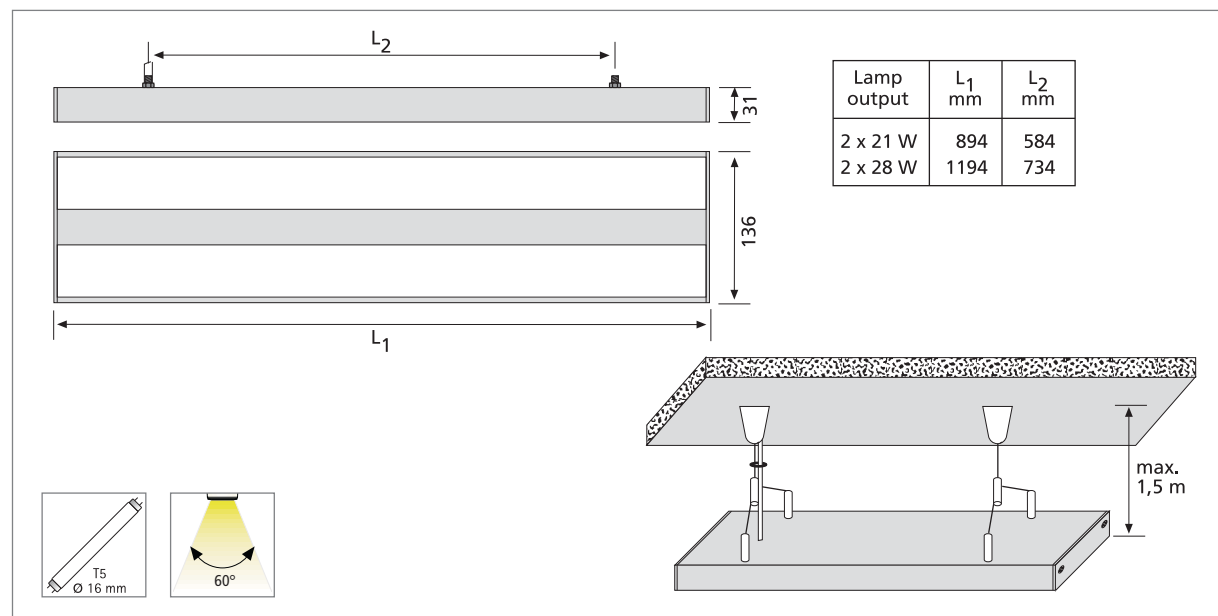


AirLight



Fluorescent pendant

- Application:** decorative pendant for the kitchen or shops over counter tops and tables
- Connection:** 220 – 240V / 50 – 60Hz
- Lamp:** extremely long-life T5 (ø 16mm) high efficiency fluorescent lamp, ø life 20,000 hours
- Energy efficiency:** very good, 90 - 93lm/W (21 - 28W)
- Colour rendering:** good, Ra = 80 – 89
- Special features:** flicker-free instant start, energy-saving and suitable for frequent on/off switching via an electronic ballast; also ideal for food industry applications due to plexiglass cover (splinter shield)



Article No.	Description	Features	Approx. weight
501 220 101 02	AirLight 60 890mm 2x21W ww	<ul style="list-style-type: none"> Anodised aluminium colour appearance ww (warm white) 	2200 g
501 220 102 02	AirLight 60 1190mm 2x28W ww	<ul style="list-style-type: none"> Anodised aluminium colour appearance ww (warm white) 	2700 g
501 220 101 01	AirLight 60 890mm 2x21W cw	<ul style="list-style-type: none"> Anodised aluminium colour appearance cw (cool white) 	2200 g
501 220 102 01	AirLight 60 1190mm 2x28W cw	<ul style="list-style-type: none"> Anodised aluminium colour appearance cw (cool white) 	2700 g

