

Boston R

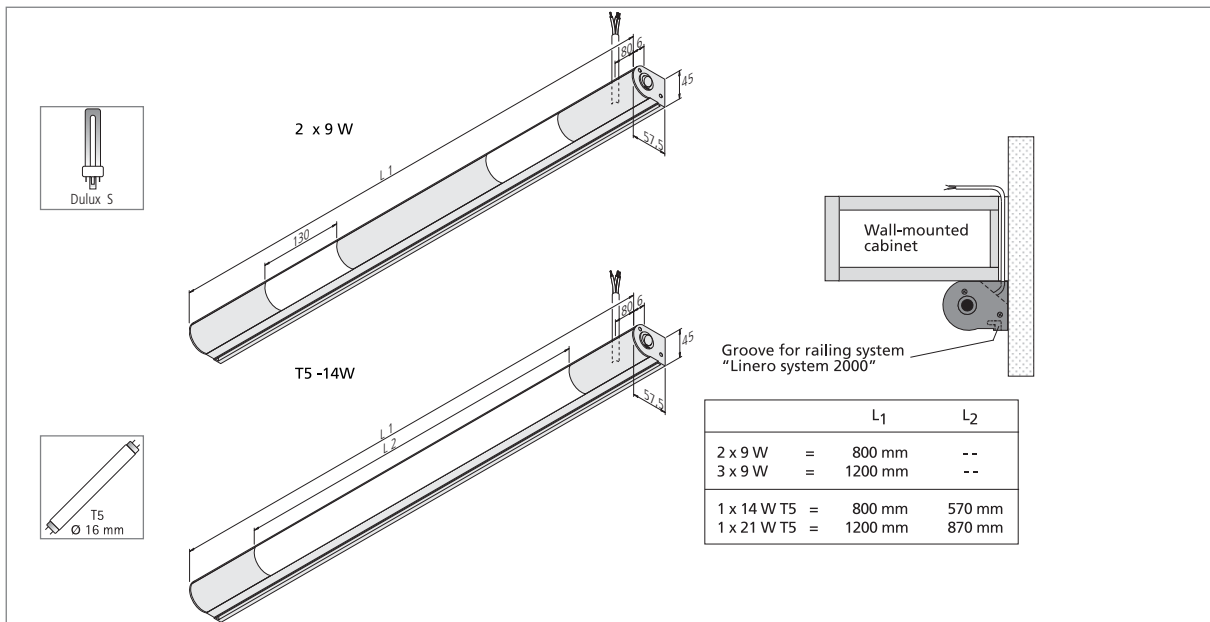


LED
Fluorescent
Halogen



Fluorescent Under-Cabinet Luminaire with Switch and Railing Channel

- Application:** upmarket lighting solution with railing channel for kitchens
- Connection:** T5: 220 – 240V / 50 – 60Hz // DULUX S: 230V / 50Hz
- Lamp:** extremely long-life T5 (ø 16mm) high efficiency fluorescent lamp, ø life 20,000 hours / or compact fluorescent lamp DULUX S, ø life 8,000 hours:
- Energy efficiency:** good – very good, 67 – 90lm/W (9 – 21W)
- Colour rendering:** good, Ra = 80 – 89
- Special features:** built-in side switch; groove for Kesseböhmer railing system "Linero 2000"; with compact fluorescent lamp or T5 lamp; available in two lengths with different light outflows.



Article No.	Description	Features	Approx. weight
501 370 106 01	Boston R 800mm 2x9W Dulux	<ul style="list-style-type: none"> • anodised aluminium/colour appearance cw (cool white) • mains cable 2m with shockproof plug D/F/B supplied loose 	1350 g
501 370 206 01	Boston R 1200mm 3x9W Dulux	<ul style="list-style-type: none"> • Safety rating 1 	2040 g
501 370 106 11	Boston R 800mm 1x14 W T5	<ul style="list-style-type: none"> • anodised aluminium/colour appearance cw (cool white) • mains cable 1.6m with shockproof plug D/F/B supplied loose 	1110 g
501 370 206 11	Boston R 1200mm 1x21 W T5	<ul style="list-style-type: none"> • Safety rating 2 	1530 g