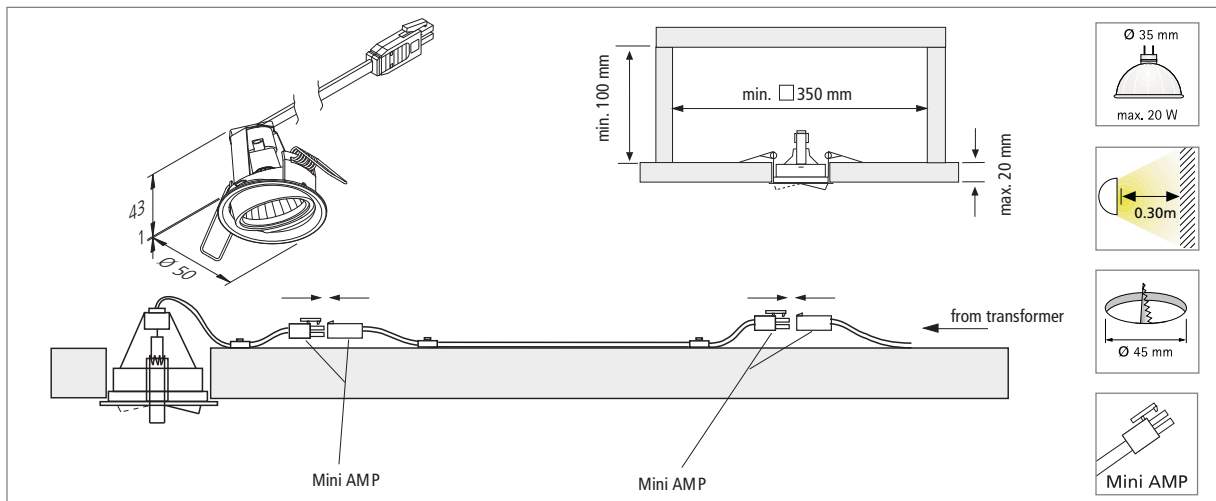




Swivel and Tilt Recessed Halogen Luminaire for Cool Beam Reflector Lamp \varnothing 35 mm

- Application:** ideal for kitchen, living room and bedroom furniture and shop-fittings
- Connection:** halogen-transformer 12V
- Lamp:** cool beam reflector lamp (\varnothing 35mm), \varnothing life 2,000 hours / max. 20W
- Energy efficiency:** satisfactory; 13 – 16lm/W (10 – 20W)
- Colour rendering:** very good, Ra = 100
- Special features:** halogen spot which swivels and tilts 20° to either side; suitable for installation in panels 10mm to max. 20mm thick; simple clamp-fitting and ready-to-use low voltage plug-in system.



Article No.	Description	Illustration	Features	Approx. weight
610 001 300 91	EH 24 white		<ul style="list-style-type: none"> • cool beam reflector lamp \varnothing 35mm (page 144) please order separately • supply cable 0.1m with Mini AMP plug 	50 g
610 001 300 94	EH 24 chrome			50 g
610 001 300 95	EH 24 gold			50 g
610 001 300 96	EH 24 matt chrome			50 g
610 001 300 98	EH 24 stainless steel			50 g
215 032 202 20	Mini AMP connecting cable 0.5m			
215 032 202 10	Mini AMP connecting cable 1m	40 g		
215 032 202 02	Mini AMP connecting cable 1.8m	65 g		
Accessories:	Transformers for halogen spotlights page 116–123			