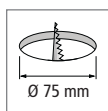
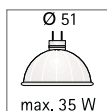
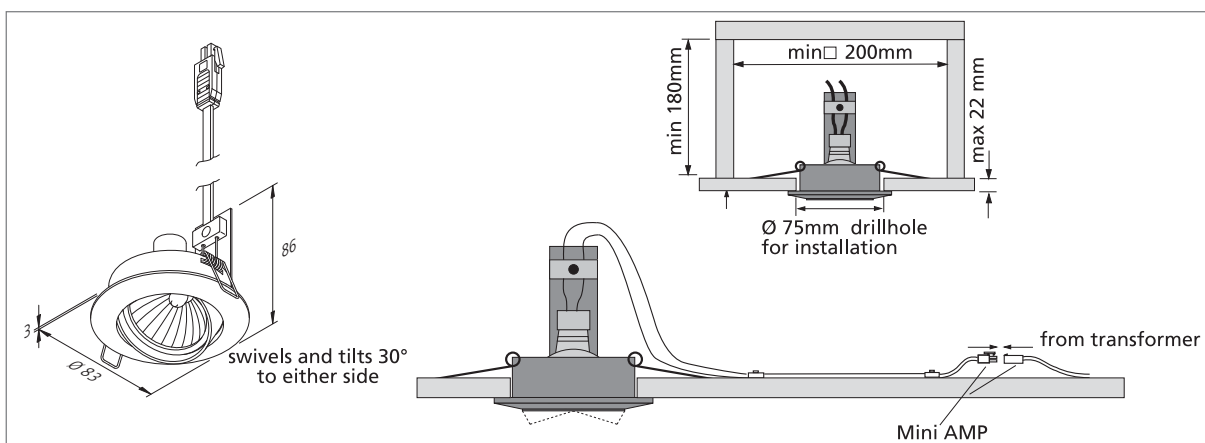
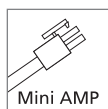
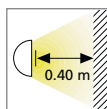


Swivel and Tilt Recessed Halogen Luminaire for Cool Beam Reflector Lamp \varnothing 51 mm

- Application:** to accentuate particular areas in residential and business premises
Connection: halogen transformer 12V
Lamp: cool beam reflector lamp, \varnothing 51 mm, \varnothing life 2,000 hours / max. 35W
Energy efficiency: satisfactory, 16 – 17lm/W (20 – 35W)
Colour rendering: very good, Ra = 100
Special features: swivels and tilts to either side at an angle of 30°; metal spotlight casing.



EH 52 – perfect for recessing in ceilings to highlight certain areas, pictures, artworks or items on display. The spot can be swivelled and tilted in two different directions. For use in homes, offices, meeting rooms, art galleries and shop premises. High level of luminous power due to cool light reflector lamps to max. 35 W.



Article No.	Description	Illustration	Features	Approx. weight
610 001 901 04	EH 52 chrome		<ul style="list-style-type: none"> for the 75 cut-out cool beam reflector lamp \varnothing 51 (page 144) please order separately supply cable 0.1m with Mini AMP plug 	175 g
610 001 901 06	EH 52 matt chrome			175 g
610 001 901 08	EH 52 stainless steel			175 g
215 032 202 20	Mini AMP connecting cable 0.5m		<ul style="list-style-type: none"> further information on page 130 	25 g
215 032 202 10	Mini AMP connecting cable 1m			40 g
215 032 202 02	Mini AMP connecting cable 1.8m			65 g
Accessories:	Transformers for halogen spotlights page 116–123			