

Flat Surface-Mounted LED Luminaire ER-LED / EQ-LED



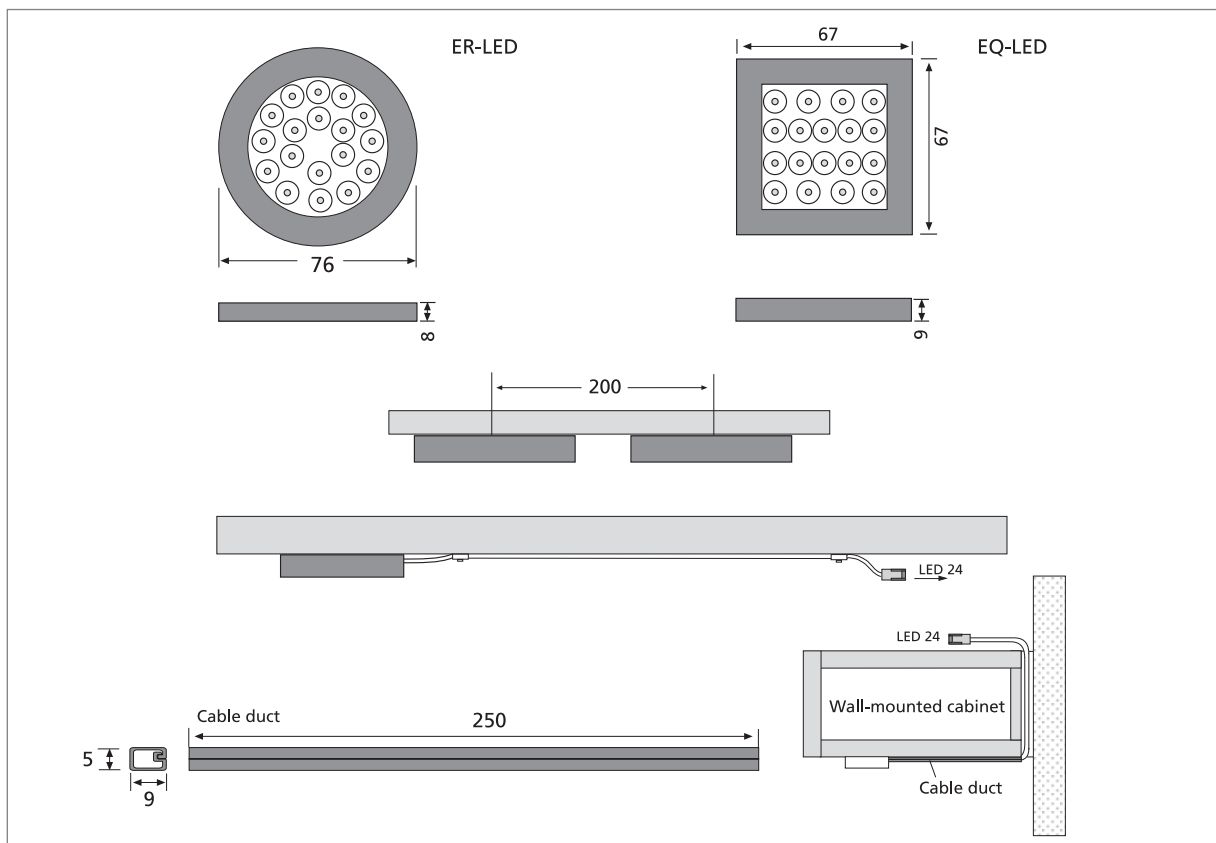
Hera[®]
Light Years Ahead.

ER-LED / EQ-LED

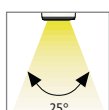


Flat Surface-Mounted LED Luminaire

- Application:** energy-saving surface-mounted spotlight for kitchen, bathroom and shop
- Connection:** LED-transformer DC 24 V
- Lamp:** extremely long-life 18 x 67mW LED, Ø life 30,000 hours
- Energy efficiency:** good, ww: 45lm/W; cw: 50lm/W
- Colour rendering:** good, ww: Ra = 90; cw: Ra = 80
- Special features:** low power consumption; no UV rays; no hole is necessary because of the low height of 8 or 9mm.



ER-LED / EQ-LED



Article No.	Description	Illustration	Features	Approx. weight
610 012 002 06	ER-LED 1,2W ww matt chrome		• Colour appearance ww (warm white)	50 g
610 012 002 08	ER-LED 1,2W ww stainless steel		• Supply cable 2,5m with LED 24 plug	50 g
610 012 001 06	ER-LED 1,2W cw matt chrome		• Colour appearance cw (cool white)	50 g
610 012 001 08	ER-LED 1,2W cw stainless steel		• Supply cable 2,5m with LED 24 plug	50 g
610 547 038 02	set of 3 ER-LED 1,2W ww stainless steel		• Colour appearance ww (warm white)	320 g
610 547 058 02	set of 5 ER-LED 1,2W ww stainless steel		• Supply cable 2,5m with LED 24 plug	420 g
610 547 078 02	set of 7 ER-LED 1,2W ww stainless steel		• incl. Transformer LED 24/15W	520 g
610 547 038 01	set of 3 ER-LED 1,2W cw stainless steel		• Colour appearance cw (cool white)	320 g
610 547 058 01	set of 5 ER-LED 1,2W cw stainless steel		• Supply cable 2,5m with LED 24 plug	420 g
610 547 078 01	set of 7 ER-LED 1,2W cw stainless steel		• incl. Transformer LED 24/15W	520 g
610 012 012 06	EQ-LED 1,2W ww matt chrome			• Colour appearance ww (warm white)
610 012 012 08	EQ-LED 1,2W ww stainless steel	• Supply cable 2,5m with LED 24 plug		55 g
610 012 011 06	EQ-LED 1,2W cw matt chrome	• Colour appearance cw (cool white)		55 g
610 012 011 08	EQ-LED 1,2W cw stainless steel	• Supply cable 2,5m with LED 24 plug		55 g
610 547 238 02	set of 3 EQ-LED 1,2W ww stainless steel		• Colour appearance ww (warm white)	335 g
610 547 258 02	set of 5 EQ-LED 1,2W ww stainless steel		• Supply cable 2,5m with LED 24 plug	445 g
610 547 278 02	set of 7 EQ-LED 1,2W ww stainless steel		• incl. Transformer LED 24/15W	555 g
610 547 238 01	set of 3 EQ-LED 1,2W cw stainless steel		• Colour appearance cw (cool white)	335 g
610 547 258 01	set of 5 EQ-LED 1,2W cw stainless steel		• Supply cable 2,5m with LED 24 plug	445 g
610 547 278 01	set of 7 EQ-LED 1,2W cw stainless steel		• incl. Transformer LED 24/15W	555 g
215 300 610 01	LED 24 connecting cable 1m			
215 300 625 01	LED 24 connecting cable 2,5m			22 g
215 080 402 21	Cable duct adhesive white			• 250 x 9 x 5 mm (L x B x H)
215 080 402 26	Cable duct adhesive matt chrome			7 g
215 080 402 28	Cable duct adhesive stainless steel			7 g
206 040 011 01	Transformer LED 24/15W DC 24V 12-way distributor		• mains cable 2m with Euro plug • for 1 – 12 luminaires	167 g
615 003 007 09	Transformer LED 24/15W DC 24V dimmable (Radio Controller)		• mains cable 2m with Euro plug • with radio telecontrol to dimm and to switch	240 g
615 003 007 02	Transformer LED 24/15W DC 24V dimmable (1-10V)		• mains cable 2m with Euro plug • dimmable (1-10V) • dimmer cable 0,3m with Mini AMP-plug	200 g
506 180 401 01	Mounting dimmer switch (1-10V)		• dimmer cable 2m with Mini AMP-socket	95 g

Hera[®]

Hera GmbH & Co. KG

Dieselstraße 9 · D-32130 Enger

Postfach 440 · D-32124 Enger

Telefon: +49 (0) 5224 911-0

Telefax: +49 (0) 5224 911-215

mail@hera-online.de

www.hera-online.de

Subject to technical changes without prior notice.

Position as per 01/2010