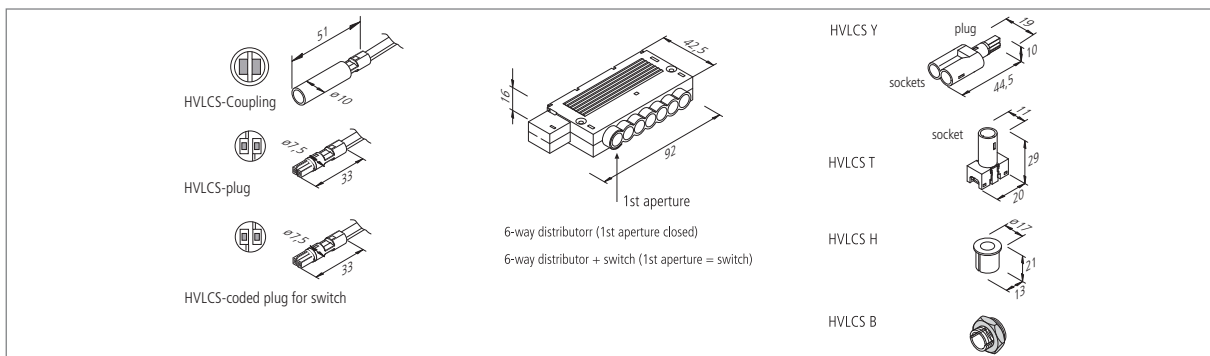


## 2-Pole Plug-In System for 230V Luminaires

- Miniature high-voltage plug-in system
- Plug only 7.5mm in diameter (fits through 8mm cavity)
- Connection: max. 250V, load-carrying capacity 2,5A max.
- Cable 2 x 0.75mm<sup>2</sup>



| Article No.    | Description   | Illustration                                 | Features                                 | Approx. weight |
|----------------|---|--|--|----------------|
| 215 440 220 02 | HVLCS 42/2000 mains cable 2m  |  | • with ferrules                          | 70 g           |
| 215 441 120 11 | HVLCS V/2000 mains cable 2m + 6-way distributor                     |  | 100 g                                    |                |
| 215 441 220 11 | HVLCS VS/2000 mains cable 2m + 6-way + coded socket                 |  | 100 g                                    |                |
| 215 440 320 01 | HVLCS 43/2000 mains cable 2m  |  | • with shockproof right angle plug D/F/B | 90 g           |
| 215 441 120 01 | HVLCS V/2000 mains cable 2m + 6-way distributor                     |  | 120 g                                    |                |
| 215 441 220 01 | HVLCS VS/2000 mains cable 2m + 6-way + coded socket                 |  | 120 g                                    |                |
| 215 440 601 01 | HVLCS 46/ 150 connecting cable 0,15m                                |  | 20 g                                     |                |
| 215 440 605 01 | HVLCS 46/ 500 connecting cable 0,5m                                 |  | 30 g                                     |                |
| 215 440 610 01 | HVLCS 46/1000 connecting cable 1m                                   |  | 45 g                                     |                |
| 215 440 615 01 | HVLCS 46/1500 connecting cable 1,5m                                 |  | 60 g                                     |                |
| 215 440 620 01 | HVLCS 46/2000 connecting cable 2m                                   | 75 g   |  |                |
| 215 440 220 01 | HVLCS S/2000 switch connection cable 2m with coded plug             | • with ferrules                              | 70 g                                     |                |
| 215 441 300 01 | HVLCS Y-distributor with one plug and 2 sockets                     | • can be snapped on to any part of the cable | 4 g                                      |                |
| 215 441 400 01 | HVLCS T-adaptor with one socket                                     | • for wood from 10mm with 13mm cut-out       | 3 g                                      |                |
| 215 441 500 01 | HVLCS H wood flush-type socket                                      | • for metal 0-18mm with 13mm cut-out         | 1 g                                      |                |
| 215 441 501 11 | HVLCS B metal flush-type socket with nut M13x1                      |  | 4 g                                      |                |
| 215 440 702 01 | HVLCS 47/ 200 adapter cable with Euro coupling and HVLCS plug 0,2 m |  | 20 g                                     |                |