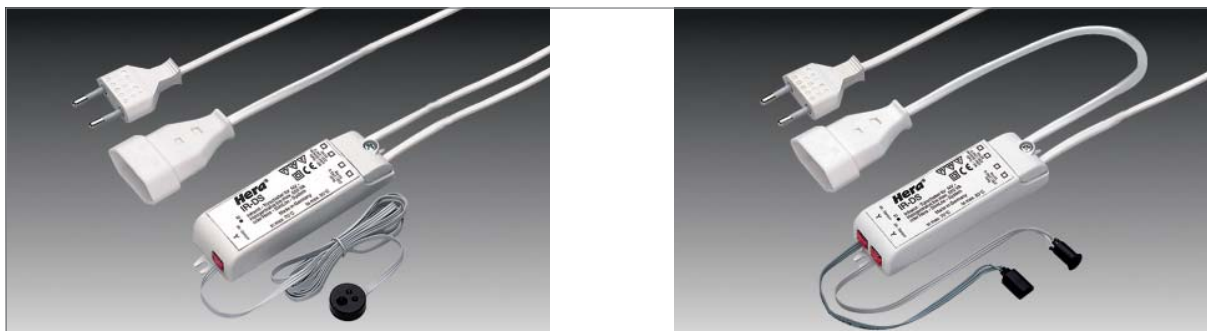


# IR-S / IR-DS

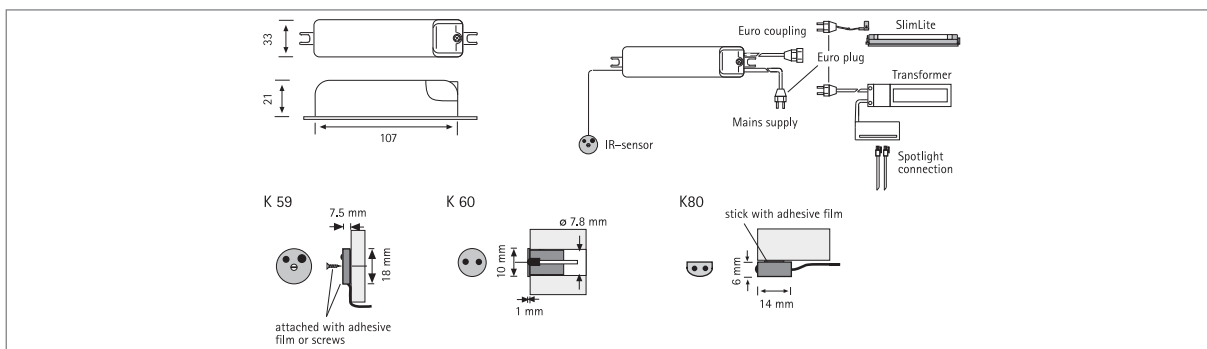


LED Transformers  
Halogen Transformers  
Plug-in Systems  
Switches/Dimmer/Socket  
Lamps



## Motion-Activated Switch

- Motion operates switch or motion of door operates switch
  - IR-DS: Opening the door switches the light on and closing the door switches it off again
  - IR-S: The first time the switch senses motion it turns the light on, and the second time it turns it off again
- IR-DS: Automatically switches off after 30 minutes
- IR-S with Memory-Function (after cut off from mains the last switching status is recovered)
- For switch operation of transformers or SlimLite® (a maximum of 3)
- Connection: 230 – 240V / 50Hz; Output: 550W
- Option of two sensors (alternate switching)
- Clearance between sensor and the inside of the door can be up to 50mm (depending on surface finish)



Article No.	Description	Features	Approx. weight
506 120 601 01	IR-S with sensor K 59 Euro	<ul style="list-style-type: none"> <li>• <b>motion-activated</b> switch operation</li> <li>• 2m Euro plug / 0.3m Euro coupling / sensor 1.4m</li> </ul>	180 g
506 120 602 06	IR-S with sensor K 60 Euro		180 g
506 120 603 02	IR-S with sensor K 80 Euro		180 g
506 120 701 01	IR-S2 with 2 sensors K 59 Euro	<ul style="list-style-type: none"> <li>• <b>motion-activated</b> switch operation</li> <li>• 2m ferrules / 0.3m ferrules / sensor 1.4m</li> </ul>	200 g
506 120 702 01	IR-S2 with 2 sensors K 60 Euro		200 g
506 120 703 01	IR-S2 with 2 sensors K 80 Euro		200 g
506 120 601 05	IR-S with sensor K 59 AE	<ul style="list-style-type: none"> <li>• <b>switch activated by opening the door</b></li> <li>• 3m Euro plug / 0.3m Euro coupling / sensor 1.4m</li> </ul>	140 g
506 120 602 03	IR-S with sensor K 60 AE		140 g
506 120 603 03	IR-S with sensor K 80 AE		140 g
506 120 801 01	IR-DS with sensor K 59 Euro	<ul style="list-style-type: none"> <li>• <b>switch activated by opening the door</b></li> <li>• 3m ferrules / 0.3m ferrules / sensor 1.4m</li> </ul>	210 g
506 120 802 15	IR-DS with sensor K 60 Euro		210 g
506 120 803 04	IR-DS with sensor K 80 Euro		210 g
506 120 901 01	IR-DS2 with 2 sensors K 59 Euro		230 g
506 120 902 01	IR-DS2 with 2 sensors K 60 Euro		230 g
506 120 903 01	IR-DS2 with 2 sensors K 80 Euro		230 g
506 120 801 02	IR-DS with sensor K 59 AE	<ul style="list-style-type: none"> <li>• <b>switch activated by opening the door</b></li> <li>• 3m ferrules / 0.3m ferrules / sensor 1.4m</li> </ul>	170 g
506 120 802 13	IR-DS with sensor K 60 AE		170 g
506 120 803 08	IR-DS with sensor K 80 AE		170 g