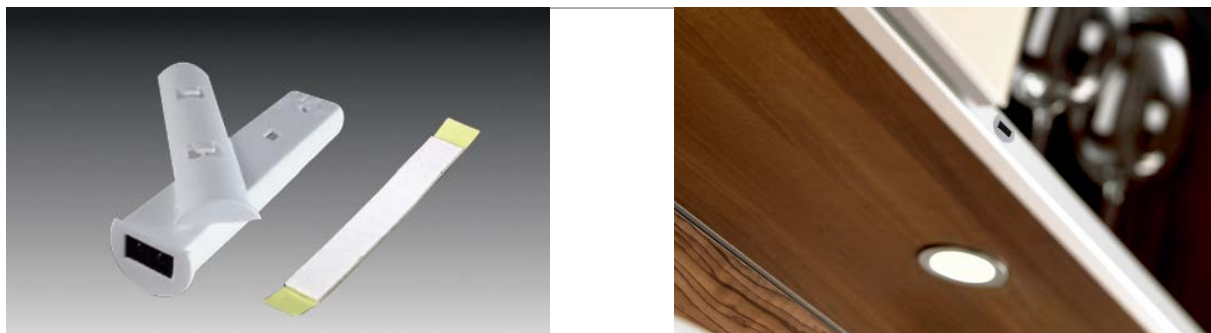


# IR Switch 24V

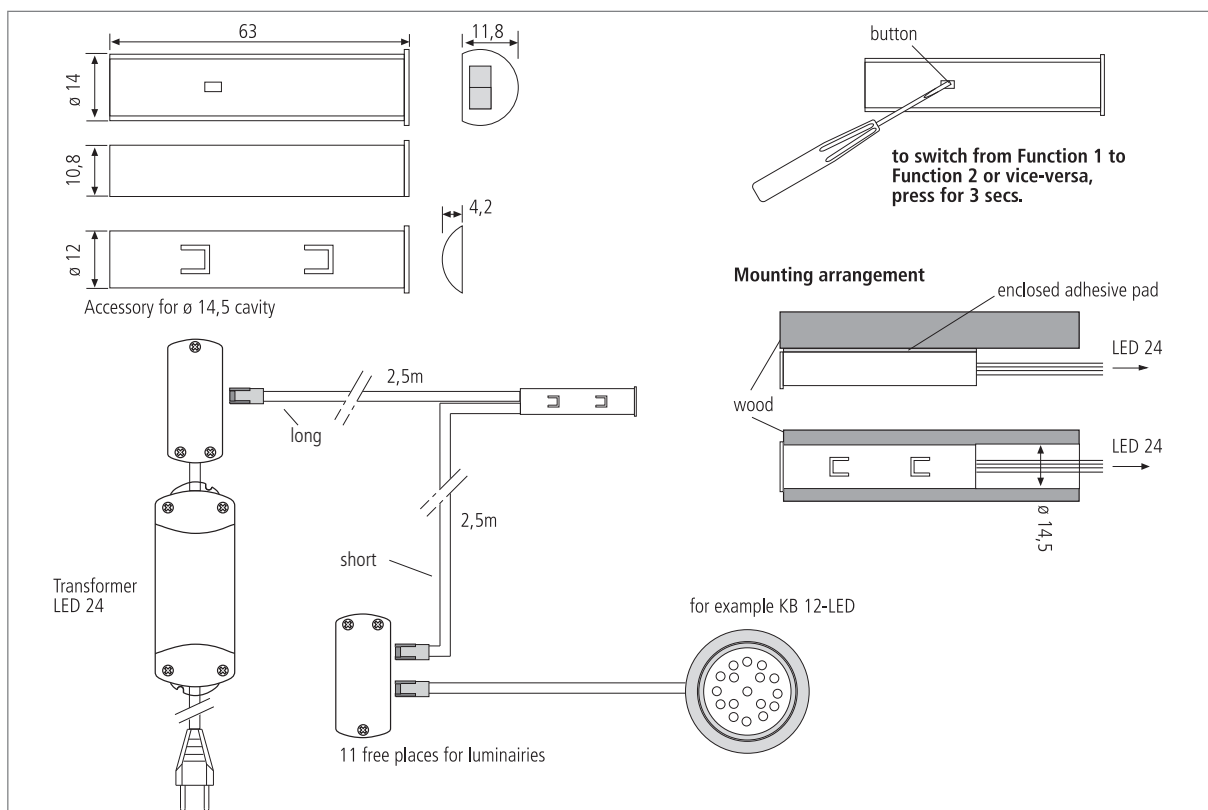
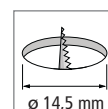


LED Transformers  
Halogen Transformers  
Plug-in Systems  
Switches/Dimmer/Sockets  
Lamps



## Motion-Activated Switch for 24V LED

- the switch is triggered by a person approaching and/or door motion
- Function 1 (as supplied): The first time the switch detects motion it turns the light on, and the second time it turns it off again
- Function 2 (press button for 3-secs., see diagram): Opening the door automatically switches the light on – and closing the door switches it off again
- Connection: LED transformer DC 24V
- to operate LED luminaires 24V
- for 14.5mm cavities or to stick on using enclosed adhesive pad
- there must be a distance of about 50 mm (depending on the reflection surface) between the closed door and the IR-sensor



Article No.	Description	Features	Approx. weight
217 032 201 01	IR Switch 24V max. 30W	<ul style="list-style-type: none"> <li>• supply cable 2,5m with LED 24 plug</li> <li>• sensor cable 2,5m with 11-way distributor LED 24</li> </ul>	75 g