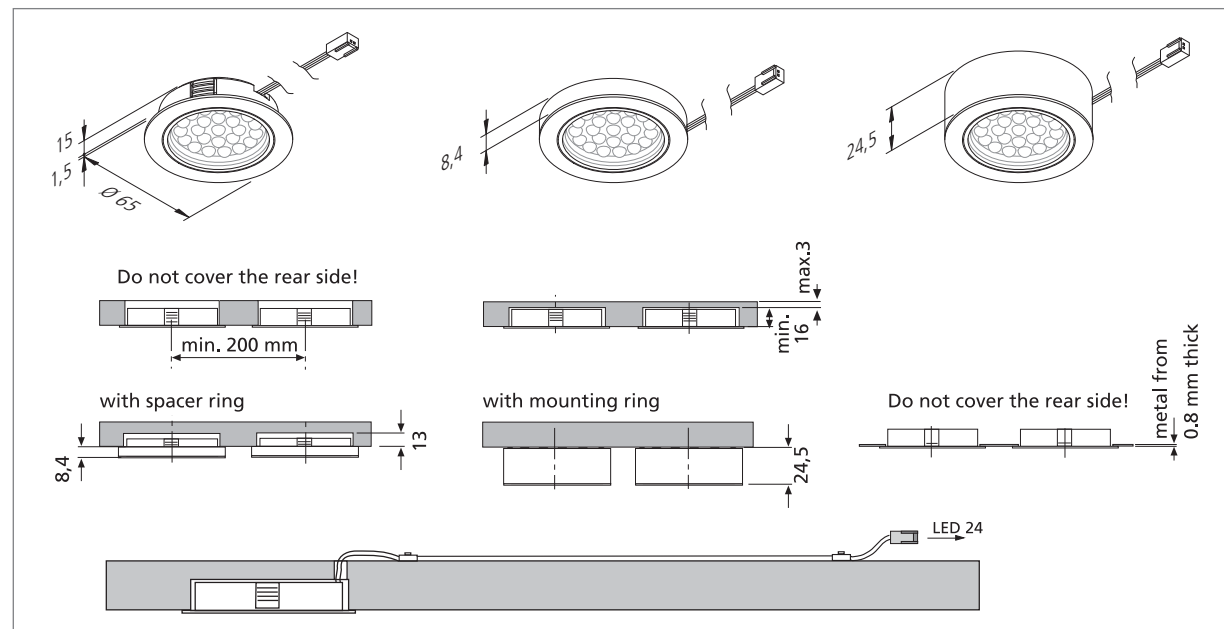


KB 12-LED



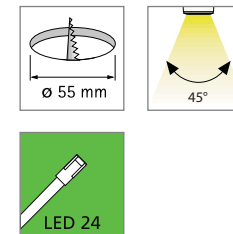
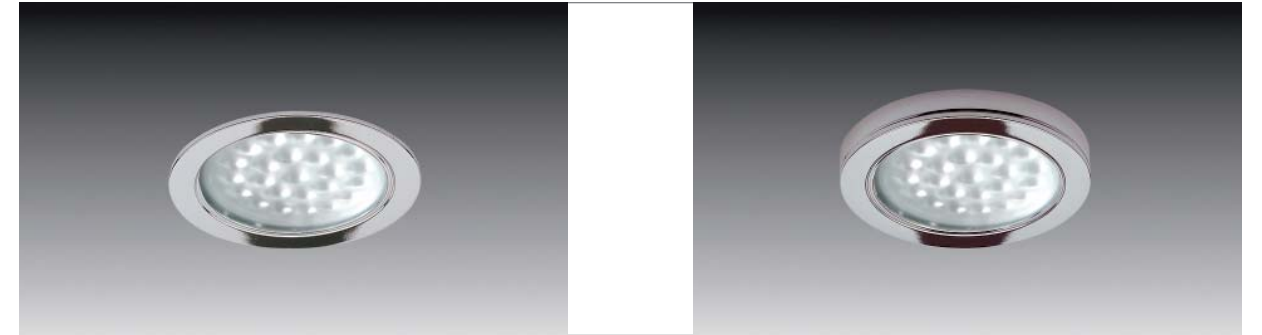
Recessed LED spotlight for installation in wood and metal

- Application:** recessed spotlight for „cool“ light in kitchen, bathroom and shop
- Connection:** LED-transformer DC 24 V
- Lamp:** extremely long-life 24 x 67mW LED, ø life 30,000 hours
- Energy efficiency:** good, ww: 55lm/W; cw: 65lm/W
- Colour rendering:** good, ww: Ra = 90; cw: Ra = 85
- Special features:** low power consumption; no UV rays; versatile accessories with spacer ring for an installation depth of only 13 mm and mounting ring for mounting with no cavity; Outer casing made of high-tech plastic (high-temperature resistant, dimensionally stable and non-brittle) guarantees safe support even after years of use.



KB 12-LED

LED
Halogen



KB 12-LED – bright LED recessed spotlight for the 55 cut-out. Extremely simple to install due to 24V DC voltage. Unused sockets on the distributor do NOT have to be provided with short-circuit plugs.

Article No.	Description	Illustration	Features	Approx. weight
610 011 102 04	KB 12-LED 1,6W ww chrome		• colour appearance ww (warm white)	70 g
610 011 102 06	KB 12-LED 1,6W ww matt chrome		• supply cable 2,5m with LED 24 plug	70 g
610 011 102 08	KB 12-LED 1,6W ww stainless steel		• incl. satinised tempered glass cover	70 g
610 011 101 04	KB 12-LED 1,6W cw chrome		• colour appearance cw (cool white)	70 g
610 011 101 06	KB 12-LED 1,6W cw matt chrome		• supply cable 2,5m with LED 24 plug	70 g
610 011 101 08	KB 12-LED 1,6W cw stainless steel		• incl. satinised tempered glass cover	70 g
610 544 302 08	set of 3 KB 12-LED 1,6W ww stainless steel		• incl. transformer LED 24/15W DC 24V	420 g
			• colour appearance ww (warm white)	
			• supply cable 2,5m with LED 24 plug	
205 020 104 03	Spacer ring (K48) chrome		• reduces installation depth to 13mm	4 g
205 020 104 06	Spacer ring (K48) matt chrome			4 g
205 020 104 10	Spacer ring (K48) stainless steel			4 g
515 000 390 04	Mounting ring (K64) chrome		• incl. screws	11 g
515 000 390 06	Mounting ring (K64) matt chrome			11 g
515 000 390 08	Mounting ring (K64) stainless steel			11 g
215 300 610 01	LED 24 connecting cable 1m			9 g
215 300 625 01	LED 24 connecting cable 2,5m			22 g
206 040 011 01	Transformer LED 24/15W DC 24V 12-way distributor		• mains cable 2m with Euro plug	167 g
			• for 1 – 12 spotlights (further information page 127)	
615 003 007 09	Transformer LED 24/15W DC 24V dimmable (Radio Controller)		• mains cable 2m with Euro plug	240 g
			• with radio telecontrol to dimm and to switch	
			• further information from page 127	
615 003 007 02	Transformer LED 24/15W DC 24V dimmable (1-10V)		• mains cable 2m with Euro plug	200 g
			• dimmable (1-10V)	
			• dimmer cable 0,3m with Mini AMP-plug	
			• further information from page 127	
506 180 401 01	Mounting dimmer switch (1-10V)		• dimmer cable 2m with Mini AMP-socket	95 g
			• other dimmer page 138	

NEW