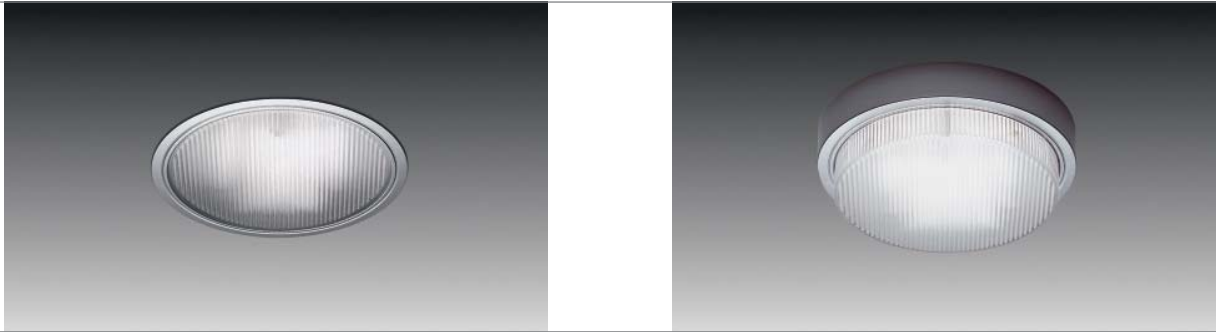
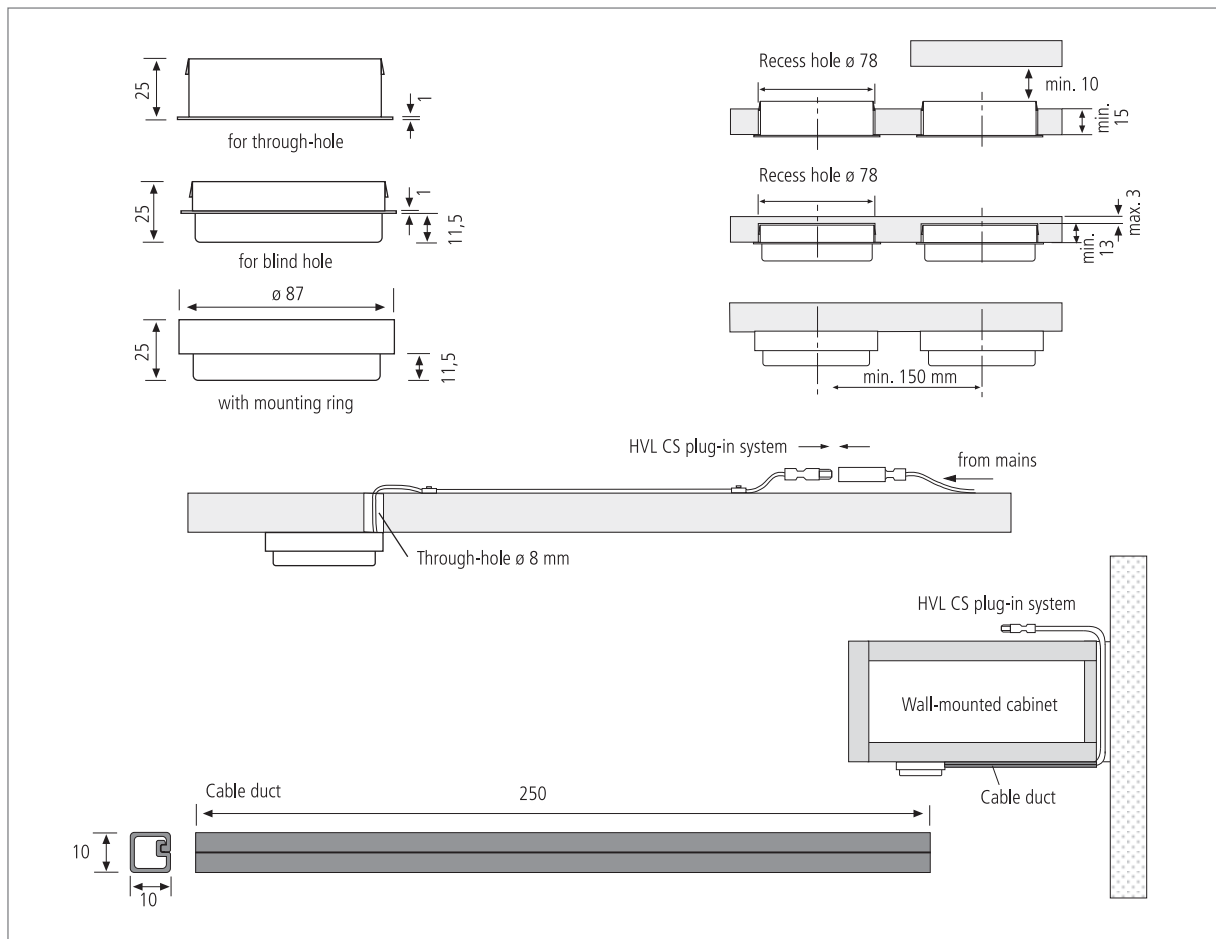


# KLL 78



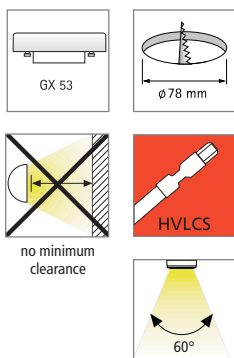
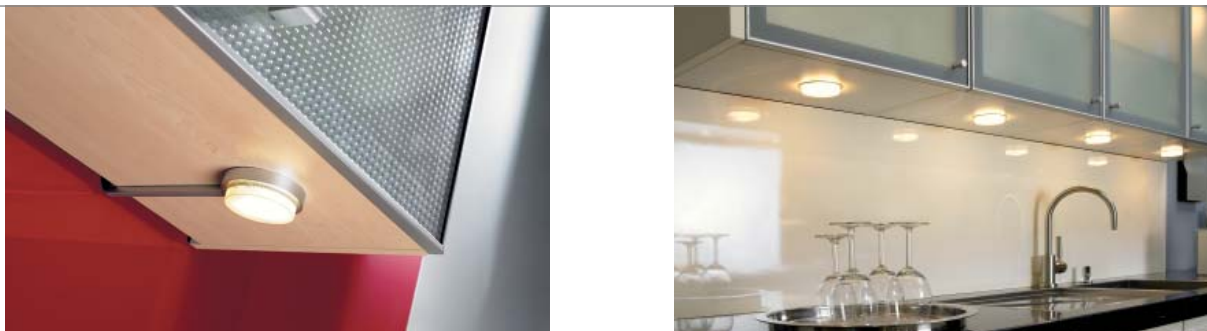
## Small Round Compact Fluorescent Luminaire

- Application:** energy-saving solution for the home, office and shop
- Connection:** 230 – 240V / 50 – 60Hz
- Lamp:** compact-fluorescent lamp GX 53,  $\varnothing$  life 6,000 hours
- Energy efficiency:** good, 37lm/W (6W)
- Colour rendering:** good, Ra = 80 – 89
- Special features:** integrated electronic ballast for flicker-free instant start and energy-saving use; with easy-to-mount HVL CS plug-in system (cut-out  $\varnothing$  8mm) and clamping fins for fast, easy installation.



# KLL 78

Fluorescent  
Halogen  
LED



KLL 78 – the recessed solution with low energy consumption and minimal heat generation. General diffused lighting, no flickering when switched on, an energy-saver due to the integrated electronic ballast. Different supply cables, connecting cables, and optional distributor make this a very versatile product.

Article No.	Description	Illustration	Features	Approx. weight
501 330 208 51	KLL 78/D stainless steel ww (warm white)		<ul style="list-style-type: none"> <li>through-hole (fully recessed)</li> <li>supply cable 2m with HVL CS plug</li> <li>light colour ww (warm white 827) or cw (cool white 840) (Sylvania-Mycro Lynx)</li> </ul>	165 g
501 330 208 52	KLL 78/D stainless steel cw (cool white)		165 g	
501 330 206 51	KLL 78/D matt chrome ww (warm white)		165 g	
501 330 206 52	KLL 78/D matt chrome cw (cool white)		165 g	
501 330 308 42	KLL 78/S stainless steel ww (warm white)		<ul style="list-style-type: none"> <li>blind hole (semi-recessed)</li> <li>supply cable 2m with HVL CS plug</li> <li>light colour ww (warm white 827) or cw (cool white 840) (Sylvania-Mycro Lynx)</li> </ul>	160 g
501 330 308 43	KLL 78/S stainless steel cw (cool white)		160 g	
501 330 306 21	KLL 78/S matt chrome ww (warm white)		160 g	
501 330 306 22	KLL 78/S matt chrome cw (cool white)		160 g	
501 330 108 41	KLL 78/A stainless steel ww (warm white)		<ul style="list-style-type: none"> <li>mounted</li> <li>supply cable 2m with HVL CS plug</li> <li>light colour ww (warm white 827) or cw (cool white 840) (Sylvania-Mycro Lynx)</li> </ul>	165 g
501 330 108 42	KLL 78/A stainless steel cw (cool white)		165 g	
501 330 106 41	KLL 78/A matt chrome ww (warm white)		165 g	
501 330 106 42	KLL 78/A matt chrome cw (cool white)		165 g	
215 440 220 02	HV LCS 42/2000 mains cable 2m		<ul style="list-style-type: none"> <li>with ferrules (country-specific plugs page 137)</li> </ul>	70 g
215 441 120 11	HV LCS V/2000 mains cable 2m + 6-way distributor		100 g	
215 440 320 01	HV LCS 43/2000 mains cable 2m		<ul style="list-style-type: none"> <li>with Euro plug</li> </ul>	90 g
215 441 120 01	HV LCS V/2000 mains cable 2m + 6-way distributor		120 g	
215 440 605 01	HV LCS 46/ 500 connecting cable 0.5m		30 g	
215 440 610 01	HV LCS 46/1000 connecting cable 1m		45 g	
215 440 615 01	HV LCS 46/1500 connecting cable 1.5m		60 g	
215 440 620 01	HV LCS 46/2000 connecting cable 2m		75 g	
215 080 402 08	Cable duct adhesive stainless steel		<ul style="list-style-type: none"> <li>10 x 10mm</li> </ul>	15 g
215 080 402 06	Cable duct adhesive matt chrome		15 g	
222 010 102 12	Tungsten carbide hole saw D=78mm	<ul style="list-style-type: none"> <li>incl. 10mm adapter / for wood up to 30mm</li> </ul>	470 g	