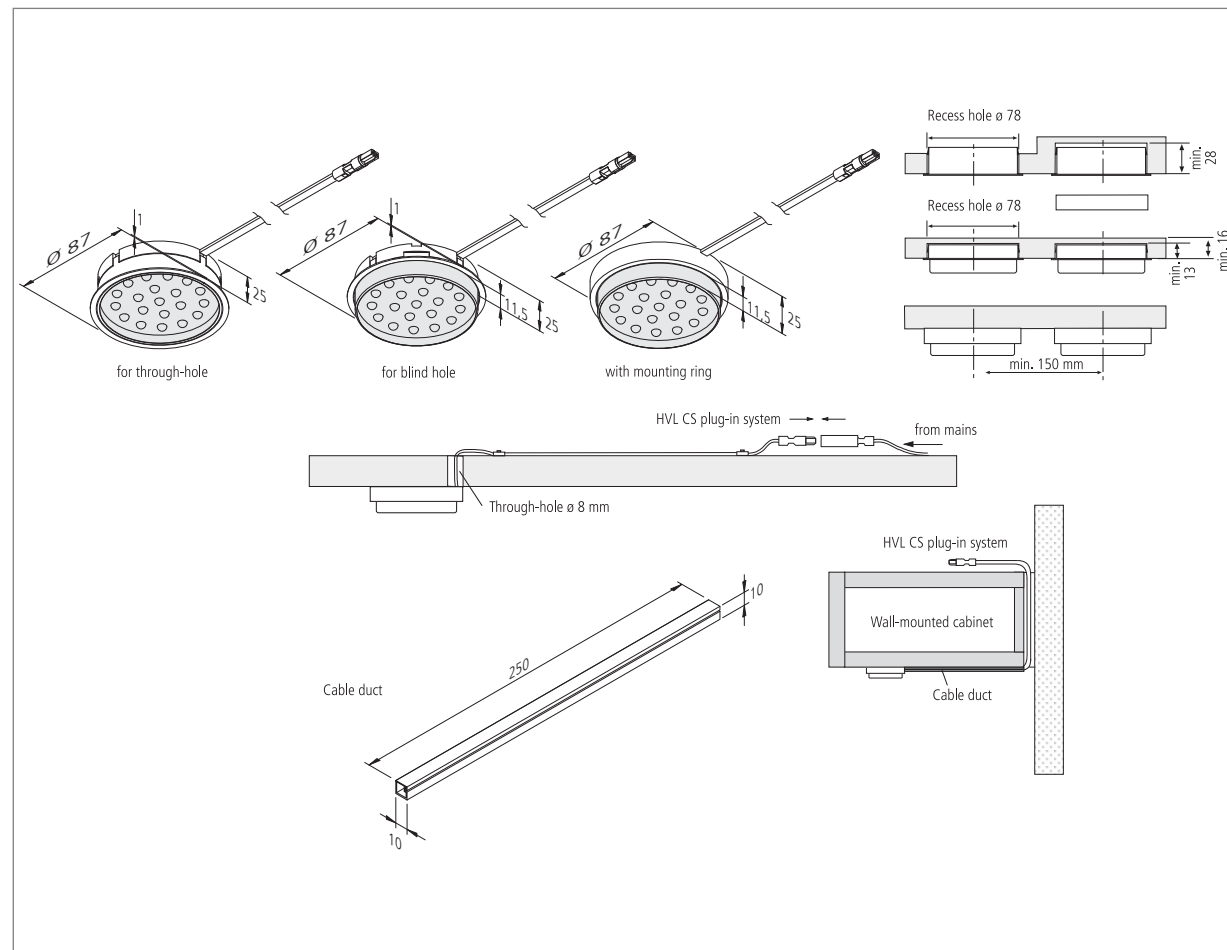
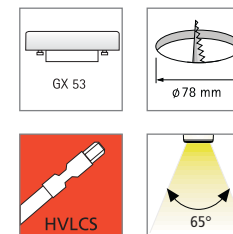


KLL 78-LED



KLL 78-LED

LED
Halogen



Compact LED Luminaire for 230V

- Connection:** 220 – 240V / 50 – 60Hz
- Lamp:** extremely long-life GX 53-LED 3W 20 SMD, ø life 30,000 hours
- Energy efficiency:** good, 75lm/W (3W)
- Colour rendering:** good, Ra = 82
- Special features:** integrated electronic ballast; with easy-to-mount HVL CS plug-in system (cut-out ø 8mm) and clamping fins for fast, easy installation.

KLL 78-LED – the recessed solution with low energy consumption and minimal heat generation. General diffused lighting, no flickering when switched on, an energy-saver due to the integrated electronic ballast. Different supply cables, connecting cables, and optional distributor make this a very versatile product.

Article No.	Description	Illustration	Features	Approx. weight
610 012 326 02	KLL 78-LED/D ww matt chrome		<ul style="list-style-type: none"> • through-hole (fully recessed) • supply cable 2m with HVL CS plug • light colour ww (warm white) or cw (cool white) 	165 g
610 012 326 01	KLL 78-LED/D cw matt chrome			165 g
610 012 328 02	KLL 78-LED/D ww stainless steel			165 g
610 012 328 01	KLL 78-LED/D cw stainless steel		<ul style="list-style-type: none"> • blind hole (semi-recessed) • supply cable 2m with HVL CS plug • light colour ww (warm white) or cw (cool white) 	160 g
610 012 336 02	KLL 78-LED/S ww matt chrome			160 g
610 012 336 01	KLL 78-LED/S cw matt chrome			160 g
610 012 338 02	KLL 78-LED/S ww stainless steel		<ul style="list-style-type: none"> • mounted • supply cable 2m with HVL CS plug • light colour ww (warm white) or cw (cool white) 	160 g
610 012 338 01	KLL 78-LED/S cw stainless steel			160 g
610 012 316 02	KLL 78-LED/A ww matt chrome			165 g
610 012 316 01	KLL 78-LED/A cw matt chrome		<ul style="list-style-type: none"> • with Euro plug 	165 g
610 012 318 02	KLL 78-LED/A ww stainless steel			165 g
610 012 318 01	KLL 78-LED/A cw stainless steel			165 g
215 440 320 01	HVLCs 43/2000 mains cable 2m		further information on page 131	90 g
215 441 120 01	HVLCs V/2000 mains cable 2m + 6-way distributor			120 g
215 440 605 01	HVLCs 46/ 500 connecting cable 0.5m			30 g
215 440 610 01	HVLCs 46/1000 connecting cable 1m			45 g
215 440 615 01	HVLCs 46/1500 connecting cable 1.5m			60 g
215 440 620 01	HVLCs 46/2000 connecting cable 2m	75 g		
215 080 402 08	Cable duct adhesive stainless steel		<ul style="list-style-type: none"> • 250 x 10 x 10mm (L x B x H) 	15 g
215 080 402 06	Cable duct adhesive matt chrome			15 g
222 010 102 12	Tungsten carbide hole saw D=78mm		<ul style="list-style-type: none"> • incl. 10mm adapter / for wood up to 30mm 	470 g