

LED 350/2x9W dim

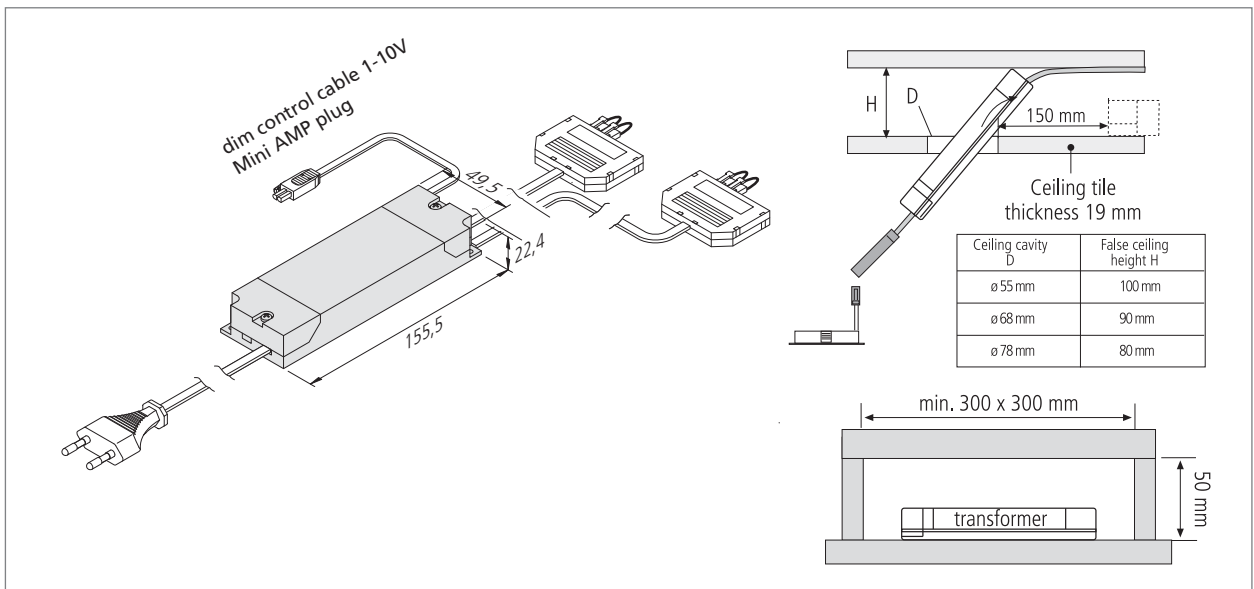


LED Transformers
Halogen Transformers
Plug-in Systems
Switches/Dimmer/Sockets
Lamps



Dimmable safety isolating transformer for 1W power LED

- Connection: 220 – 240V / 50 – 60Hz
- Output: 2 x 1 – 9W
- constant 350mA / max. 35V DC
- protected against short-circuit , overload and no-load
- max. length of secondary cables: **4m** each
- dimmable with 1-10V or potentiometer
- Dim range: 10 – 100 %



Article No.	Description	Features	Approx. weight
615 003 009 28	Transformer LED 350/2x9W dim 2 x 3-way distributor + 2 short circuit plugs (1-10V)	<ul style="list-style-type: none"> • mains cable 2m with Euro plug • dim control cable 0.2m with Mini AMP plug 	280 g
615 003 009 29	Transformer LED 350/2x9W dim 2 x 9-way distributor + 8 short circuit plugs (1-10V)		310 g
506 180 401 01	Mounting dimmer switch (1-10V)	<ul style="list-style-type: none"> • dim control cable 2m with Mini AMP-socket • further dimmer switch on page 138 	95 g