

# Flat LED Under-Cabinet Luminaire LED ADD-ON



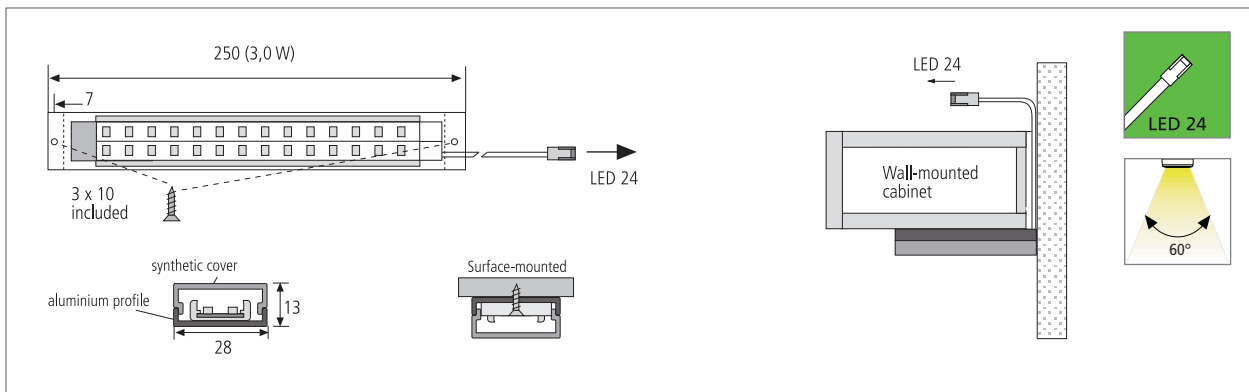
**Hera**<sup>®</sup>  
Light Years Ahead.

# LED ADD-ON



## Flat LED Under-Cabinet Luminaire

- Application:** luminaire for installation under kitchen furniture
- Connection:** LED transformer DC 24V
- Lamp:** extremely long-life 48 x 70 mW LED,  $\varnothing$  life 30,000 hours
- Energy efficiency:** good, 45lm/W
- Colour rendering:** good, Ra = 90
- Special features:** no UV rays; low power consumption.



Article No.	Description	Features	Approx. weight
610 012 201 02	LED ADD-ON 3W ww anodised aluminium	• supply cable 2.5m with LED 24 plug	135 g
610 548 032 01	set of 3 LED ADD-ON 3W ww anodised aluminium	• incl. transformer LED 24/15W	575 g
215 300 610 01	LED 24 connecting cable 1m		9 g
215 300 625 01	LED 24 connecting cable 2.5m		22 g
206 040 011 01	Transformer LED 24/15W DC 24V 12-way distributor	• mains cable 2m with Euro plug	167 g
206 040 012 01	Transformer LED 24/30W DC 24V 12-way distributor		250 g