

Memphis

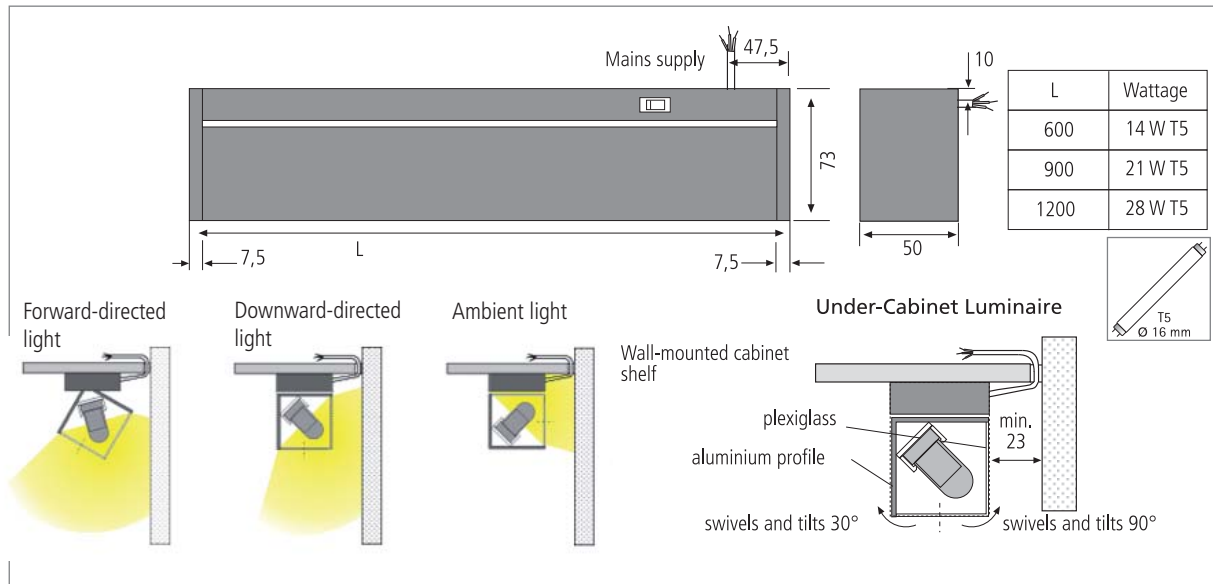


LED
Fluorescent
Halogen



Swivel and Tilt Under-Cabinet Luminaire

- Application:** swivel and tilt under-cabinet luminaire to create different lighting moods
- Connection:** 220 – 240V / 50 – 60Hz
- Lamp:** extremely long-life T5 (ø 16mm) high efficiency fluorescent lamp, ø life 20,000 hours
- Energy efficiency:** very good, 86 – 93lm/W (14 – 28W)
- Colour rendering:** good, Ra = 80 – 89
- Special features:** flicker-free instant start and energy-saving with integrated electronic ballast; with switch; as under-cabinet and wall luminaire (page 85) available in three different lengths.



Article No.	Description	Features	Approx. weight
501 230 112 01	Memphis Under-Cabinet Luminaire 600mm 14W ww	<ul style="list-style-type: none"> stainless steel mains cable 2m with shockproof plug D/F/B supplied loose incl. T5 lamp ww (warm white) 	1400 g
501 230 113 01	Memphis Under-Cabinet Luminaire 900mm 21W ww		1900 g
501 230 114 01	Memphis Under-Cabinet Luminaire 1200mm 28W ww		2300 g
501 230 102 01	Memphis Under-Cabinet Luminaire 600mm 14W cw	<ul style="list-style-type: none"> stainless steel mains cable 2m with shockproof plug D/F/B supplied loose incl. T5 lamp cw (cool white) 	1400 g
501 230 103 01	Memphis Under-Cabinet Luminaire 900mm 21W cw		1900 g
501 230 104 01	Memphis Under-Cabinet Luminaire 1200mm 28W cw		2300 g