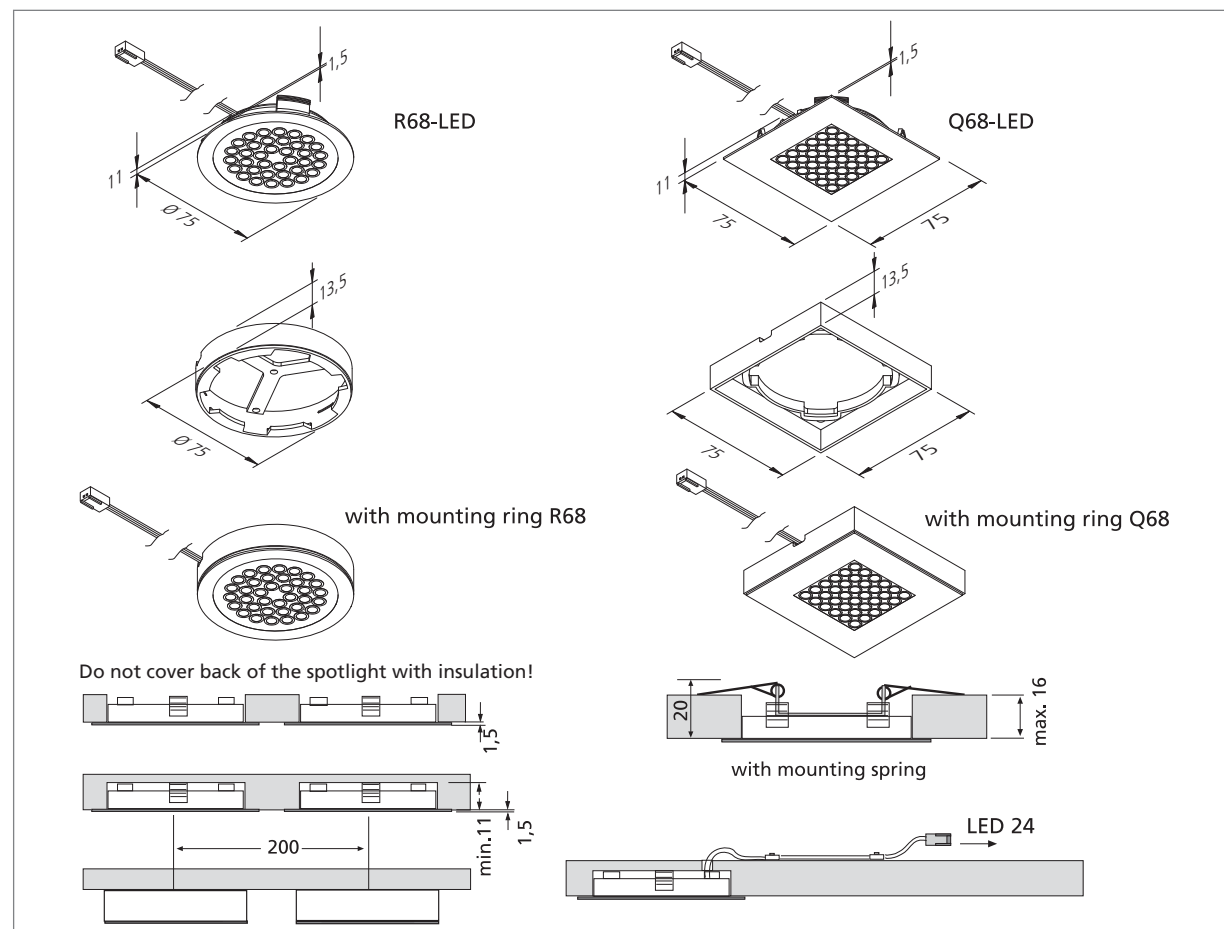


R 68-LED / Q 68-LED



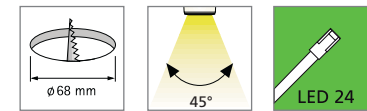
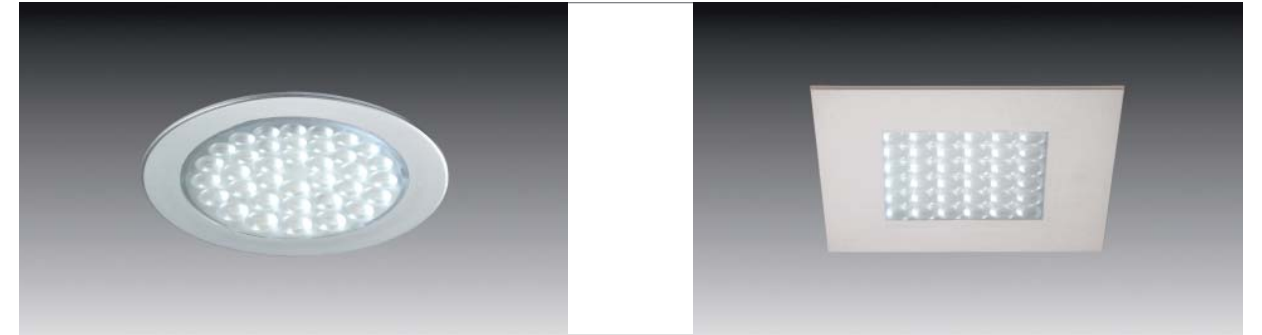
Flat Recessed LED Luminaire for the 68 Cut-out

- Application:** energy-saving recessed spotlight for kitchen, bathroom and shop
Connection: LED-transformer DC 24 V
Lamp: extremely long-life 36 x 70mW LED, Ø life 30,000 hours
Energy efficiency: good, ww: 55lm/W; cw: 65lm/W
Colour rendering: good, ww: Ra = 90; cw: Ra = 85
Special features: low power consumption; no UV rays; flush mounting in 16mm panels.



R 68-LED / Q 68-LED

LED
Halogen



Article No.	Description	Illustration	Features	Approx. weight
610 012 602 06	R 68-LED 2,5W ww matt chrome		• colour appearance ww (warm white) approx. 3300K • supply cable 2,5m with LED 24 plug	80 g
610 012 602 08	R 68-LED 2,5W ww stainless steel		80 g	
610 012 603 06	R 68-LED 2,5W nw matt chrome		• colour appearance nw (neutral white) approx. 4100K • supply cable 2,5m with LED 24 plug	80 g
610 012 603 08	R 68-LED 2,5W nw stainless steel		80 g	
610 549 038 02	set of 3 R 68-LED 2,5W ww stainless steel		• incl. transformer LED 24/15W DC 24V • colour appearance ww (warm white) approx. 3300K • supply cable 2,5m with LED 24 plug	410 g
610 549 058 02	set of 5 R 68-LED 2,5W ww stainless steel		570 g	
205 010 211 06	Mounting ring R 68 matt chrome		• incl. screw	12 g
205 010 211 08	Mounting ring R 68 stainless steel		12 g	
610 012 622 06	Q 68-LED 2,5W ww matt chrome		• colour appearance ww (warm white) approx. 3300K • supply cable 2,5m with LED 24 plug	85 g
610 012 622 08	Q 68-LED 2,5W ww stainless steel		85 g	
610 012 623 06	Q 68-LED 2,5W nw matt chrome		• colour appearance nw (neutral white) approx. 4100K • supply cable 2,5m with LED 24 plug	85 g
610 012 623 08	Q 68-LED 2,5W nw stainless steel		85 g	
610 549 238 02	set of 3 Q 68-LED 2,5W ww stainless steel		• incl. transformer LED 24/15W DC 24V • colour appearance ww (warm white) approx. 3300K • supply cable 2,5m with LED 24 plug	425 g
610 549 258 02	set of 5 Q 68-LED 2,5W ww stainless steel		595 g	
205 010 212 06	Mounting ring Q 68 matt chrome		• incl. screws	15 g
205 010 212 08	Mounting ring Q 68 stainless steel		15 g	
615 000 301 01	Mounting spring ARF 68/78/Q		• for mounting in lightweight design ceilings	24 g
215 300 610 01	LED 24 connecting cable 1m			9 g
215 300 625 01	LED 24 connecting cable 2,5m		22 g	
206 040 011 01	Transformer LED 24/15W DC 24V 12-way distributor		• mains cable 2m with Euro plug • for 1 – 6 spotlights (further information page 127)	167 g
615 003 007 09	Transformer LED 24/15W DC 24V dimmable (Radio Controller)		• mains cable 2m with Euro plug • with radio telecontrol to dimm and to switch • further information from page 127	240 g
615 003 007 02	Transformer LED 24/15W DC 24V dimmable (1-10V)		• mains cable 2m with Euro plug • dimmable (1-10V) • dimmer cable 0,3m with Mini AMP-plug • further information from page 127	200 g
506 180 401 01	Mounting dimmer switch (1-10V)		• dimmer cable 2m with Mini AMP-socket • other dimmer page 138	95 g