

SH 11

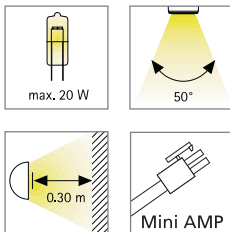
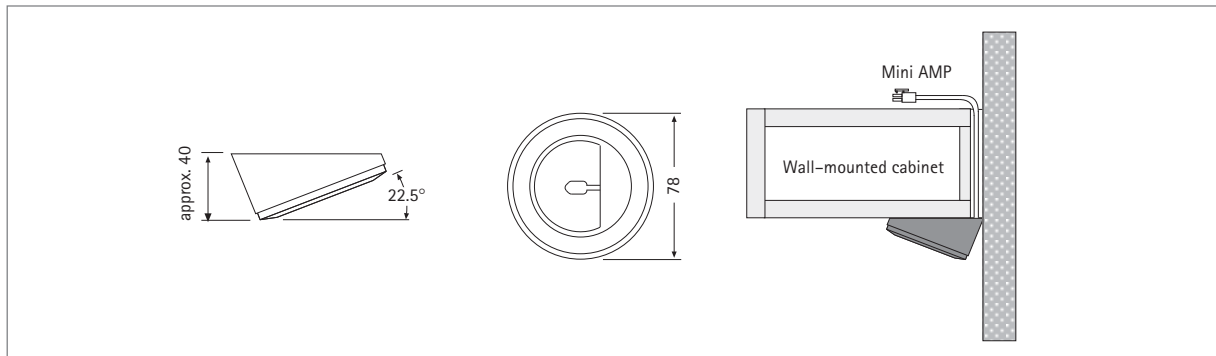


Fluorescent
Halogen
LED



Inclined Halogen Under-Cabinet Luminaire

- Application:** angled illumination for kitchens, shops and exhibitions
Connection: halogen transformer 12V
Lamp: long-life G4 halogen lamp "OSRAM HALOSTAR STARLITE®",
 ø life 4,000 hours / max. 20W
Energy efficiency: satisfactory, 13 – 16lm/W (10 – 20W)
Colour rendering: very good, Ra = 100
Special features: reflector with 22.5° angle of inclination; very easy to mount.



SH 11 – the inclined halogen spotlight for kitchen cabinets, shelves, display cabinets and showcases. Angled reflector illuminates objects beautifully. Fast mounting without time-consuming drilling, easy lamp replacement. With tempered, satinised glass cover and long-life G4 halogen lamp.

Article No.	Description	Illustration	Features	Approx. weight
610 002 001 08	SH 11 20W stainless steel		<ul style="list-style-type: none"> supply cable 0.1m with Mini AMP plug incl. 1.8m connecting cable incl. satinised tempered glass cover 	65 + 60 g
610 002 001 06	SH 11 20W matt chrome			65 + 60 g
610 502 831 38	set of 3 SH 11 20W stainless steel		<ul style="list-style-type: none"> incl. transformer Puma 105 further information on page 134 	585 g
215 032 202 20	Mini AMP connecting cable 0.5m			25 g
215 032 202 10	Mini AMP connecting cable 1m			40 g
215 032 202 02	Mini AMP connecting cable 1.8m			65 g
Accessories:	Transformers for halogen luminaires page 120–127			

NEW