

SlimLite® CS LED

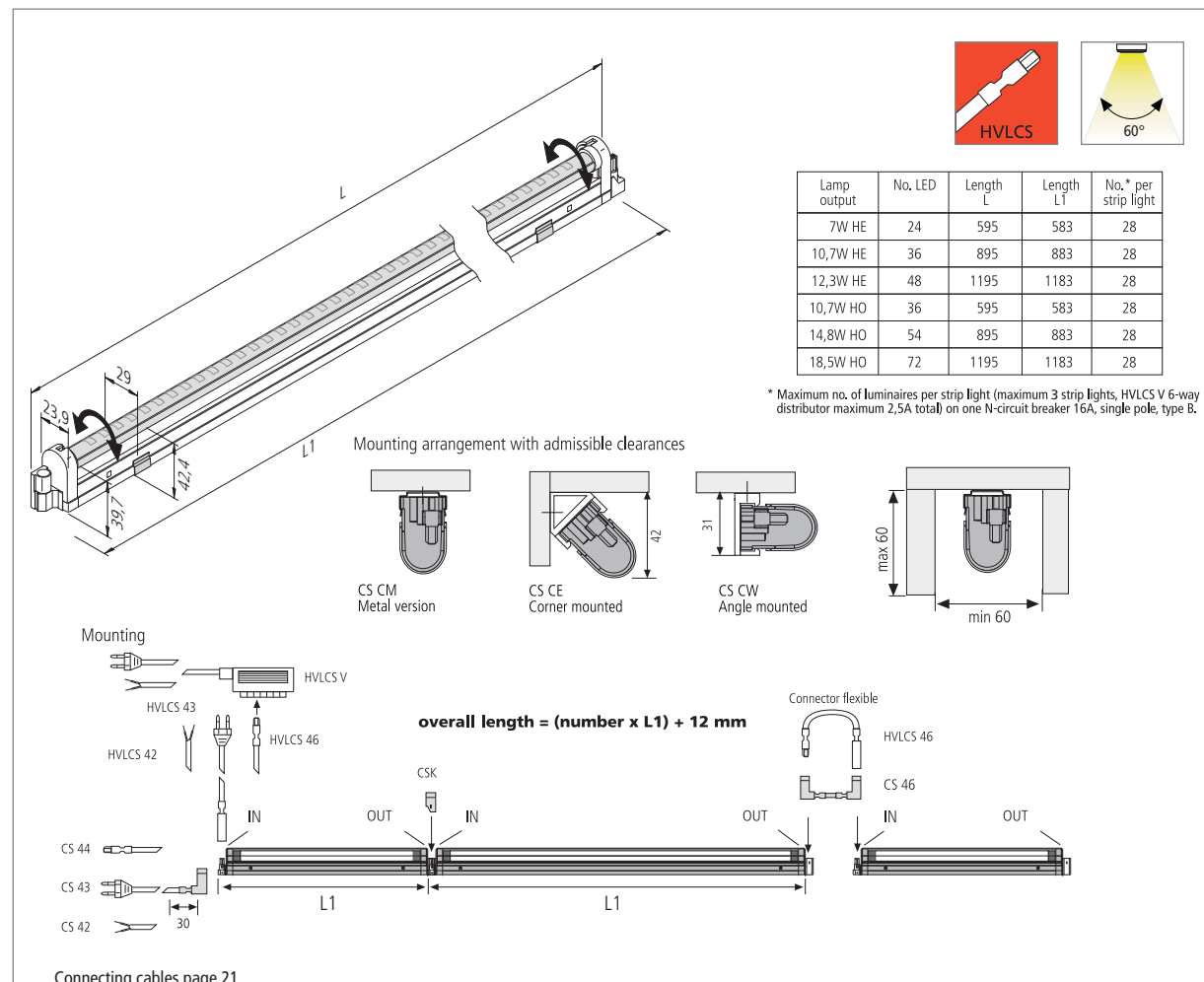


SlimLite® CS LED



Swivel and Tilt LED Linear Luminaire for 230V

- Application:** suitable for shopfittings, counters, shelving units, display cabinets, behind lighting screens etc.
- Connection:** 220 – 240V / 50 – 60Hz
- Lamp:** extremely long-life 200mW LED, ϕ life 30,000 hours
- Energy efficiency:** good, 67 - 77lm/W (7 - 18,5W)
- Colour rendering:** good, Ra = 90
- Special features:** LEDs swivel and tilt 180°; rigid connector for minimal spacing between luminaires; vertical plug-in system allows later removal from the strip light; many accessories.



Article No.	Description	Illustration	Features	Approx. weight
610 012 901 04	SlimLite CS LED HE 595mm 7,0W "Bread"		<ul style="list-style-type: none"> light colour „Bread“ approx. 2800K aluminium casing incl. mounting clip CS CM 	400 g
610 012 902 04	SlimLite CS LED HE 895mm 10,7W "Bread"		580 g	
610 012 903 04	SlimLite CS LED HE 1195mm 12,3W "Bread"		750 g	
610 012 901 02	SlimLite CS LED HE 595mm 7,0W ww		<ul style="list-style-type: none"> light colour ww (warm white) approx. 3100K aluminium casing incl. mounting clip CS CM 	400 g
610 012 902 02	SlimLite CS LED HE 895mm 10,7W ww		580 g	
610 012 903 02	SlimLite CS LED HE 1195mm 12,3W ww		750 g	
610 012 901 01	SlimLite CS LED HE 595mm 7,0W nw		<ul style="list-style-type: none"> light colour nw (neutral white) approx. 4100K aluminium casing incl. mounting clip CS CM 	400 g
610 012 902 01	SlimLite CS LED HE 895mm 10,7W nw		580 g	
610 012 903 01	SlimLite CS LED HE 1195mm 12,3W nw		750 g	
610 012 901 03	SlimLite CS LED HE 595mm 7,0W cw		<ul style="list-style-type: none"> light colour cw (cool white) approx. 5200K aluminium casing incl. mounting clip CS CM 	400 g
610 012 902 03	SlimLite CS LED HE 895mm 10,7W cw		580 g	
610 012 903 03	SlimLite CS LED HE 1195mm 12,3W cw		750 g	
610 012 911 04	SlimLite CS LED HO 595mm 10,7W "Bread"		<ul style="list-style-type: none"> light colour „Bread“ approx. 2800K aluminium casing incl. mounting clip CS CM 	400 g
610 012 912 04	SlimLite CS LED HO 895mm 14,8W "Bread"		580 g	
610 012 913 04	SlimLite CS LED HO 1195mm 18,5W "Bread"		750 g	
610 012 911 02	SlimLite CS LED HO 595mm 10,7W ww		<ul style="list-style-type: none"> light colour ww (warm white) approx. 3100K aluminium casing incl. mounting clip CS CM 	400 g
610 012 912 02	SlimLite CS LED HO 895mm 14,8W ww		580 g	
610 012 913 02	SlimLite CS LED HO 1195mm 18,5W ww		750 g	
610 012 911 01	SlimLite CS LED HO 595mm 10,7W nw		<ul style="list-style-type: none"> light colour nw (neutral white) approx. 4100K aluminium casing incl. mounting clip CS CM 	400 g
610 012 912 01	SlimLite CS LED HO 895mm 14,8W nw		580 g	
610 012 913 01	SlimLite CS LED HO 1195mm 18,5W nw		750 g	
610 012 911 03	SlimLite CS LED HO 595mm 10,7W cw		<ul style="list-style-type: none"> light colour cw (cool white) approx. 5200K aluminium casing incl. mounting clip CS CM 	400 g
610 012 912 03	SlimLite CS LED HO 895mm 14,8W cw		580 g	
610 012 913 03	SlimLite CS LED HO 1195mm 18,5W cw		750 g	