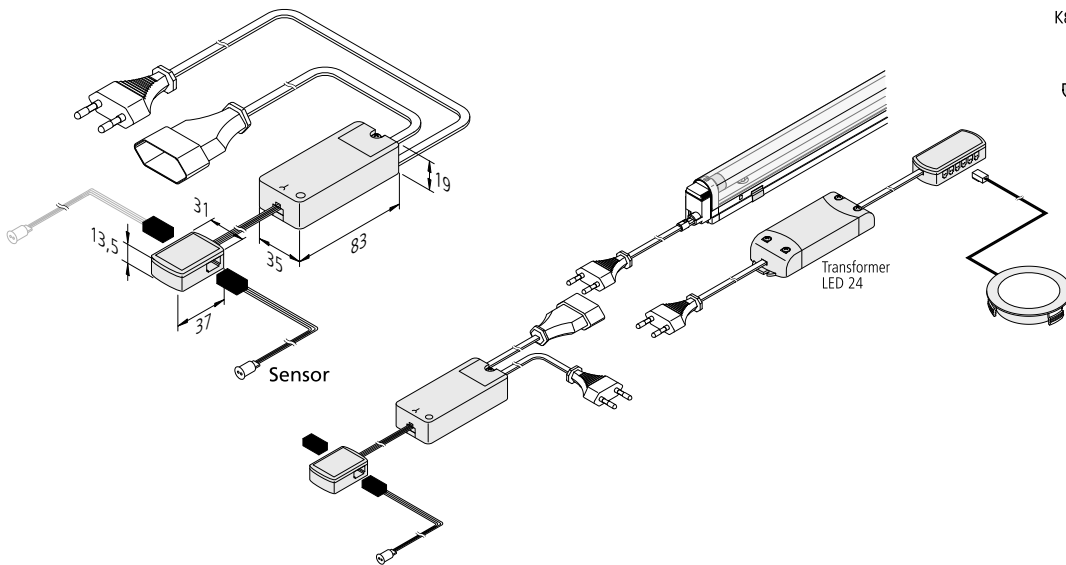
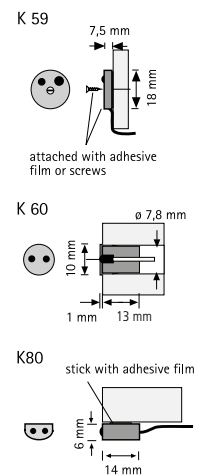


# IR-S / IR-DS

## Motion-activated switch



- motion operates switch or motion of door operates switch
  - IR-DS: opening the door switches the light on and closing the door switches it off again
  - IR-S: the first time the switch senses motion it turns the light on, and the second time it turns it off again
- IR-S with memory-function (after cut off from mains the last switching status is recovered)
- suitable for switching LED-converter max. 250 W or SlimLite® lighting rows up to 3 luminaires
- connection: 220 – 240 V / 50 - 60 Hz
- option of two sensors (alternate switching) (lights on when **one** door is opened)
- clearance between sensor and the inside of the door can be 4 up to 50 mm (depending on surface finish)



Article No.	Description	Features	Weight
506 120 601 11	IR-S with sensor K 59 Euro	<ul style="list-style-type: none"> <li>• motion-activated switch operation</li> <li>• 2 m Euro plug / 0.3 m Euro coupling / sensor 3 m</li> </ul>	190 g
506 120 602 11	IR-S with sensor K 60 Euro		190 g
506 120 603 11	IR-S with sensor K 80 Euro		190 g
506 120 601 12	IR-S with sensor K 59 AE	<ul style="list-style-type: none"> <li>• motion-activated switch operation</li> <li>• 2 m ferrules / 0.3 m ferrules / sensor 3 m</li> </ul>	190 g
506 120 602 12	IR-S with sensor K 60 AE		190 g
506 120 603 12	IR-S with sensor K 80 AE		190 g
506 120 801 11	IR-DS with sensor K 59 Euro	<ul style="list-style-type: none"> <li>• switch activated by opening the door</li> <li>• 3 m Euro plug / 0.3 m Euro coupling / sensor 3 m</li> </ul>	220 g
506 120 802 41	IR-DS with sensor K 60 Euro		220 g
506 120 803 21	IR-DS with sensor K 80 Euro		220 g
506 120 901 11	IR-DS2 with 2 sensors K 59 Euro		250 g
506 120 902 21	IR-DS2 with 2 sensors K 60 Euro		250 g
506 120 903 11	IR-DS2 with 2 sensors K 80 Euro		250 g
506 120 801 12	IR-DS with sensor K 59 AE	<ul style="list-style-type: none"> <li>• switch activated by opening the door</li> <li>• 3 m ferrules / 0.3 m ferrules / sensor 3 m</li> </ul>	220 g
506 120 802 42	IR-DS with sensor K 60 AE		220 g
506 120 803 22	IR-DS with sensor K 80 AE		220 g