

LED 24 Transformer

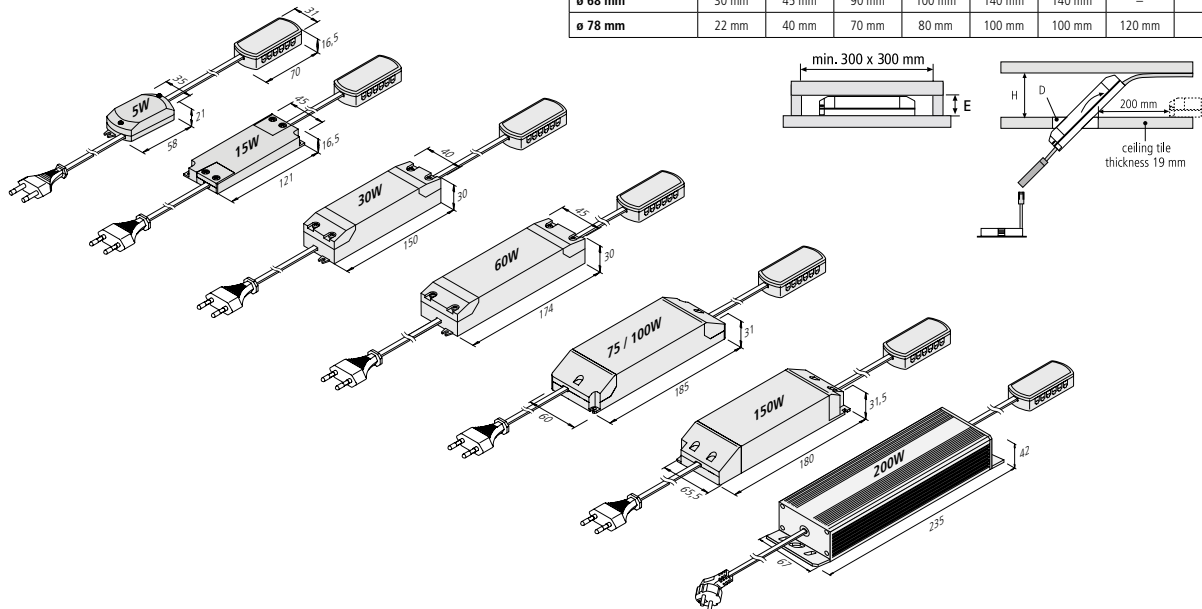


Electronic safety isolating transformer for 24 V DC LED



- connection: 220 – 240 V / 0 – 50/60 Hz
- constant 24 V DC
- protected against short-circuit , overload and no-load
- max. length of secondary cables: 5 m each

	5 W	15 W	30 W	60 W	75 W	100 W	150 W	200 W
installation height (E)	21 mm	16,5 mm	31 mm	50 mm	50 mm	50 mm	40 mm	–
Ceiling cavity (D)	False ceiling height (H)							
ø 45 mm	40 mm	–	–	–	–	–	–	–
ø 55 mm	35 mm	55 mm	110 mm	140 mm	–	–	–	–
ø 68 mm	30 mm	45 mm	90 mm	100 mm	140 mm	140 mm	–	–
ø 78 mm	22 mm	40 mm	70 mm	80 mm	100 mm	100 mm	120 mm	–



Article No.	Description	Illustration	Features	Weight
206 040 023 01	Transformer LED 24/ 5W DC 24V		<ul style="list-style-type: none"> • mains cable 2 m with Euro plug • 12-way distributor 	160 g
206 040 011 01	Transformer LED 24/ 15W DC 24V			167 g
206 040 012 01*	Transformer LED 24/ 30W DC 24V			250 g
206 040 031 01	Transformer LED 24/ 60W DC 24V			375 g
206 040 019 01	Transformer LED 24/ 75W DC 24V			460 g
206 040 033 01	Transformer LED 24/100W DC 24V			460 g
206 040 037 01	Transformer LED 24/150W DC 24V		500 g	
615 003 013 01	Transformer LED 24/200W DC 24V		<ul style="list-style-type: none"> • mains cable 2 m with shockproof plug • 12-way distributor 	1500 g

LED 24 Transformer



Electronic safety isolating transformer for 24 V DC LED



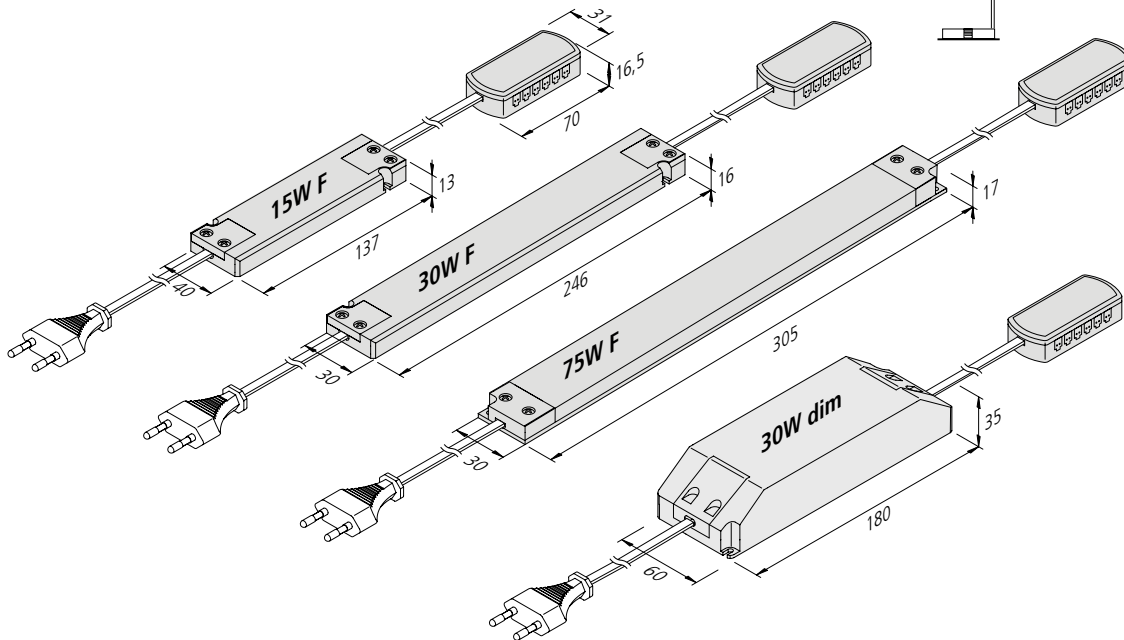
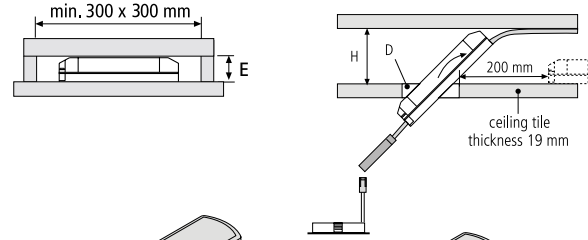
LED 24/15 W F



LED 24/30 W dim

- connection: 220 – 240 V / 0 – 50/60 Hz
- constant 24 V DC
- protected against short-circuit , overload and no-load
- max. length of secondary cables: 5 m each

	15 W F	30 W F	75 W F	30 W dim
installation height (E)	16,5 mm	16 mm	30 mm	35 mm
Ceiling cavity (D)	False ceiling height (H)			
ø 45 mm	–	–	–	–
ø 55 mm	115 mm	–	–	–
ø 68 mm	75 mm	–	–	145 mm
ø 78 mm	60 mm	–	–	100 mm



Article No.	Description	Illustration	Features	Weight
206 040 020 01	Transformer LED 24/ 15W F DC 24V		<ul style="list-style-type: none"> • mains cable 2 m with Euro plug • 12-way distributor 	190 g
206 040 026 05	Transformer LED 24/ 30W F DC 24V			250 g
206 040 038 01	Transformer LED 24/ 75W F DC 24V			280 g
615 003 008 21	Transformer LED 24/30W dim DC 24V		<ul style="list-style-type: none"> • 18 W minimum load • recommended trailing edge dimmer: Busch-Jaeger 6513U or Jung 225TDE • dim range: 25 – 100 % 	575 g