

LED Evo-Stick F

New    

Powerful plug-in LED stick with homogeneous planar light and IP65

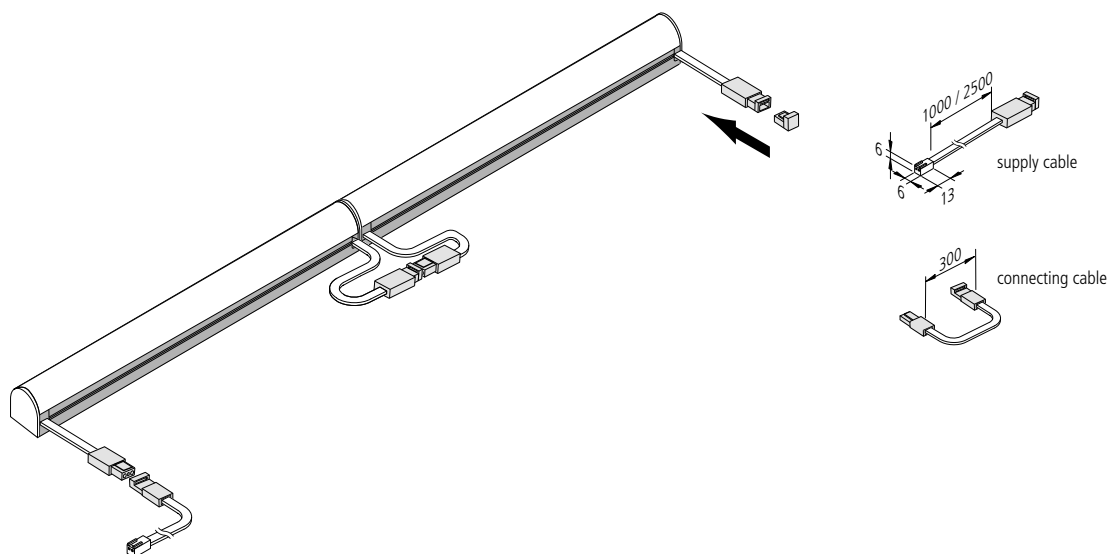
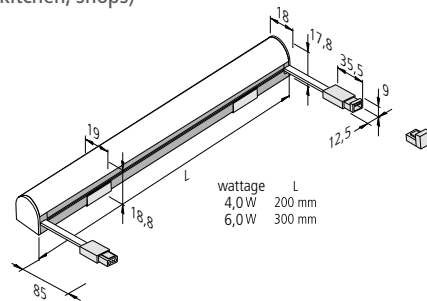


Connection: LED transformer DC 24 V
Life: L70/B10 \geq 50.000 hours
Energy efficiency: LED 129 lm/W; luminaire: 1900 lm/m (95 lm/W); this luminaire contains built-in, irreplaceable LED lamps of the energy efficiency class A to A++

Colour rendering: Ra/CRI > 90

Special features: max. 72 W or 3,6 m per supply cable; quick and easy installation due to double-sided adhesive tape; with IP65, suitable for applications requiring higher ingress protection (general humidity, bathroom, kitchen, shops)

LED Evo-Stick F			
	ww	nw	
0,5m	∅ 670	2260 lx	2360 lx
1,0m	∅ 1340	565 lx	590 lx
1,5m	∅ 2010	251 lx	262 lx
2,0m	∅ 2680	141 lx	148 lx
2,5m	∅ 3350	90 lx	94 lx



LED Evo-Stick F

Powerful plug-in LED stick with homogeneous planar light and IP65



Article No.	Description	Illustration	Features	Weight
202 029 201 04	LED Evo-Stick F 200mm 28 LED 4W xw		• colour appearance xw (extra warm white) approx. 2700K	50 g
202 029 202 04	LED Evo-Stick F 300mm 42 LED 6W xw		• colour appearance ww (warm white) approx. 3000K	72 g
202 029 201 02	LED Evo-Stick F 200mm 28 LED 4W ww		• colour appearance nw (neutral white) approx. 4000K	50 g
202 029 202 02	LED Evo-Stick F 300mm 42 LED 6W ww			72 g
202 029 201 03	LED Evo-Stick F 200mm 28 LED 4W nw			50 g
202 029 202 03	LED Evo-Stick F 300mm 42 LED 6W nw			72 g
215 300 404 02	Supply cable LED Evo-Stick 1000mm		• connection between transformer and first stick	20 g
215 300 404 01	Supply cable LED Evo-Stick 2500mm			41 g
215 300 404 11	Connecting cable LED Evo-Stick 300mm		• connection between two sticks	10 g
202 040 107 04	Mounting clip LED Twin-Stick 2		• included with stick • incl. 2 screws and 2 adhesive strips	4 g
206 040 011 01	Transformer LED 24/ 15W DC 24V		• mains cable 2m with Euro plug • 12-way distributor (5W with 6-way distributor)	167 g
206 040 012 01	Transformer LED 24/ 30W DC 24V			250 g
206 040 019 01	Transformer LED 24/ 75W DC 24V			460 g
615 000 505 26	24V Dim-Controller Radio 80W incl. 4 channel remote control		• to dim and switch • 12-way distributor • further dim controller (WiFi + DALI) page 160	130 g
615 000 505 23	24V Dim-Controller Radio 80W incl. surface mounted remote control			105 g
615 000 505 24	24V Dim-Controller Radio 80W incl. recessed remote control			80 g