

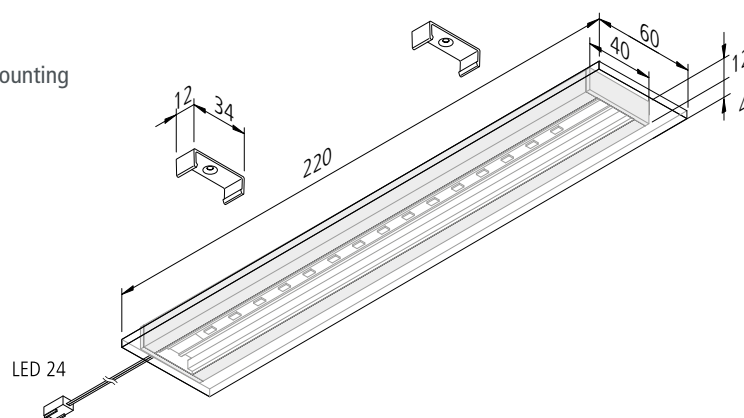
LED Glas-Line

LED under-cabinet luminaire with frosted glass



- Connection:** LED transformer DC 24 V
- Life:** L70/B10 ≥ 60,000 hours
- Energy efficiency:** LED: 107 lm/W; luminaire: **240 lm** (63 lm/W); this luminaire contains built-in, not changeable LED lamps of the energy efficiency class A to A++
- Colour rendering:** Ra/CRI > 95
- Special features:** easy mounting with concealed mounting clips; frosted genuine glass cover

| LED Glas-Line | | | |
|---------------|--------|--------|--------|
| | 110° | ww | nw |
| 0,5m | ∅ 620 | 348 lx | 376 lx |
| 1,0m | ∅ 1240 | 87 lx | 94 lx |
| 1,5m | ∅ 1860 | 39 lx | 42 lx |
| 2,0m | ∅ 2480 | 22 lx | 24 lx |
| 2,5m | ∅ 3100 | 14 lx | 15 lx |



| Article No. | Description | Illustration | Features | Weight |
|----------------|---|--------------|---|--------|
| 610 018 201 02 | LED Glas-Line 3,8W ww anodized aluminium | | <ul style="list-style-type: none"> • light colour ww (warm white) approx. 3000 K or nw (neutral white) approx. 4000 K • supply cable 2.5 m with LED 24 plug | 220 g |
| 610 018 201 03 | LED Glas-Line 3,8W nw anodized aluminium | | | 220 g |
| 610 573 301 02 | set of 3 LED Glas-Line 3,8W ww anodized aluminium | | <ul style="list-style-type: none"> • light colour ww (warm white) approx. 3000 K or nw (neutral white) approx. 4000 K • incl. transformer LED 24/30W (7 lamps can be added) | 910 g |
| 610 573 301 03 | set of 3 LED Glas-Line 3,8W nw anodized aluminium | | | 910 g |
| 610 573 302 02 | set of 3 LED Glas-Line 3,8W ww with switch anodized aluminium | | <ul style="list-style-type: none"> • light colour ww (warm white) approx. 3000 K or nw (neutral white) approx. 4000 K • incl. transformer LED 24/30W (7 lamps can be added) and EBS 4 | 1090 g |
| 610 573 302 03 | set of 3 LED Glas-Line 3,8W nw with switch anodized aluminium | | | 1090 g |
| 215 300 610 01 | LED 24 connecting cable 1m | | <ul style="list-style-type: none"> • further information on page 138 | 9 g |
| 215 300 625 01 | LED 24 connecting cable 2.5m | | | 22 g |
| 206 040 011 01 | Transformer LED 24/15W DC 24V | | <ul style="list-style-type: none"> • mains cable 2 m with Euro plug • 12-way distributor • further information from page 136 | 167 g |
| 206 040 012 01 | Transformer LED 24/30W DC 24V | | | 250 g |