

Hera[®]

Hera GmbH & Co. KG
Dieselstraße 9 · D-32130 Enger
Postfach 440 · D-32124 Enger
Telefon: +49 / (0)52 24/911-0
Telefax: +49 / (0)52 24/911-215
mail@hera-online.de
www.hera-online.de



Download of
the catalogue

Position as per 5/2019

Subject to technical changes and errors without prior notice. All information provided without guarantee. No liability for literal mistakes.

Lighting News 2019



Hera[®]

LED Tape FN

New    

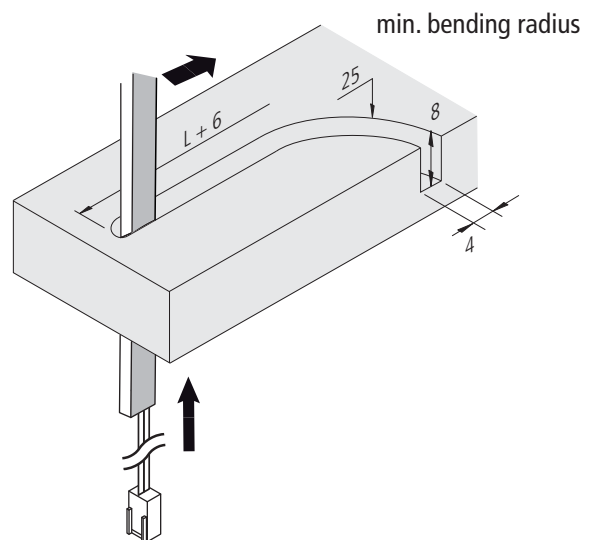
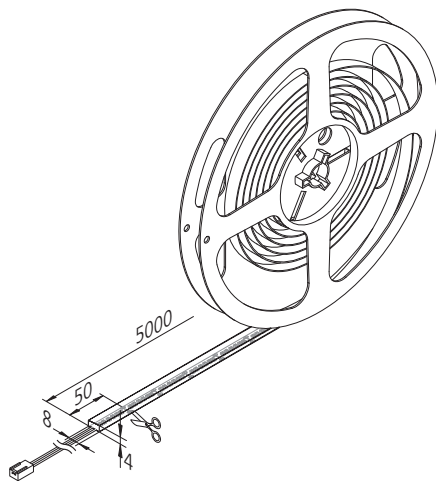
LED Tape with homogeneous planar light for milled groove




Connection: LED transformer DC 24 V
Life: L70/B10 \geq 54.000 hours
Energy efficiency: LED 110 lm/W; luminaire: 221 lm/m (23 lm/W); this luminaire contains built-in, irreplaceable LED lamps of the energy efficiency class A to A++
Colour rendering: Ra/CRI > 90

LED Tape FN		ww	nw
0,5m	120° Ø 650	276 lx	292 lx
1,0m	Ø 1300	69 lx	73 lx
1,5m	Ø 1950	31 lx	32 lx
2,0m	Ø 2600	17 lx	18 lx
2,5m	Ø 3250	11 lx	12 lx

Special features: max. 5 m per supply cable; quick and easy installation in a 4 mm wide and 8 mm deep milled groove; tapes can be shortened at 50 mm intervals (lateral cutting mark); afterwards the tapes can't be reconnected; minimum bending radius 25 mm; homogeneous planar light (no visible luminous spots)



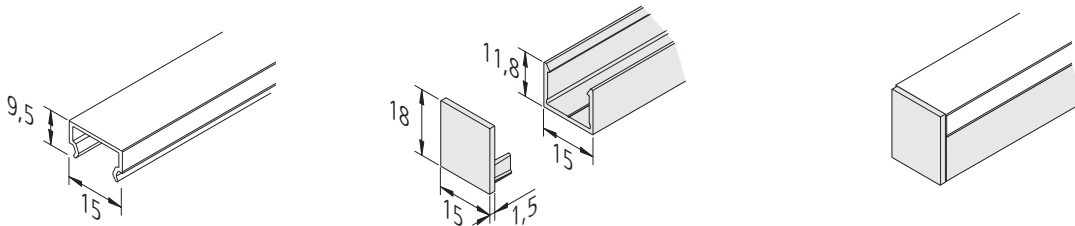
Article No.	Description	Illustration	Features	Weight
202 030 501 02	LED Tape FN 5m 700 LED 48W ww		<ul style="list-style-type: none"> • colour appearance ww (warm white) approx. 3000 K or nw (neutral white) approx. 4000 K • incl. supply cable 2,5 m with LED 24 plug 	220 g
202 030 501 03	LED Tape FN 5m 700 LED 48W nw			220 g
Accessories	LED transformers 24V from page 154 / dimm controller page 160			

LED Cover Profile H

For homogeneous accent lighting



Special features: cover profile for homogeneous planar light (as of Tape 300) as accent lighting



Article No.	Description	Illustration	Features	Weight
New 203 012 808 10	LED Cover Profile H 15mm 1m highly matt		<ul style="list-style-type: none"> material: PC highly matt with Tape 300 for a homogeneous and decorative light strip without visible luminous spots 	36 g
New 203 012 808 61	LED Cover Profile H 15mm 2,95m set of 5 highly matt			530 g
615 000 316 13	LED Mounting Profile 15/13mm 1m		<ul style="list-style-type: none"> black for cover profile 15mm 	190 g
615 000 316 63	LED Mounting Profile 15/13mm 2,95m set of 5			2850 g
New 615 000 310 83	Front cover LED Mounting Profile H 15/13mm black		<ul style="list-style-type: none"> set of 2 with screws 	2 g
615 000 316 10	LED Mounting Profile 15/13mm 1m		<ul style="list-style-type: none"> anodized aluminium for cover profile 15mm 	190 g
615 000 316 61	LED Mounting Profile 15/13mm 2,95m set of 5			2850 g
New 615 000 310 81	Front cover LED Cover Profile H 15/13mm anodized aluminium		<ul style="list-style-type: none"> set of 2 with screws 	2 g

LED Wardrobe Tube Luminaire New

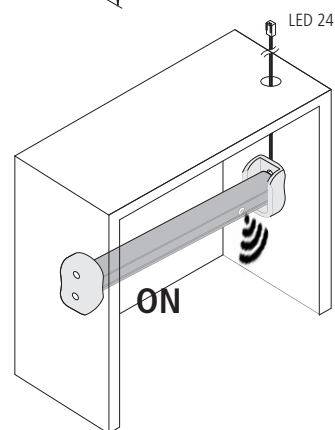
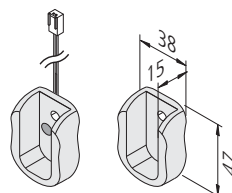
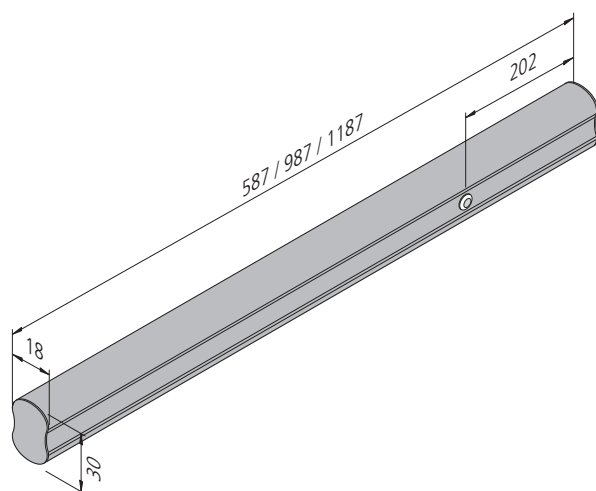


Wardrobe Tube Luminaire with motion-activated switch



- Connection:** LED transformer DC 24 V
Life: L70/B10 ≥ 50.000 hours
Energy efficiency: LED 140 lm/W; luminaire: 385 / 665 / 805 lm (70 lm/W); this luminaire contains built-in, irreplaceable LED lamps of the energy class A bis A++
Colour rendering: Ra/CRI > 80
Special features: integrated motion-activated switch with a 30 seconds delay; can be shortened individually

LED Wardrobe Tube Luminaire				
		0,6m	1m	1,2m
0,5m	110° Ø 620	484 lx	808 lx	968 lx
1,0m	Ø 1240	121 lx	202 lx	242 lx
1,5m	Ø 1860	54 lx	90 lx	108 lx
2,0m	Ø 2480	30 lx	51 lx	61 lx
2,5m	Ø 3100	19 lx	32 lx	39 lx



Article No.	Description	Illustration	Features	Weight
202 030 201 01	LED Wardrobe Tube Luminaire 600mm 5,5W		<ul style="list-style-type: none"> • colour appearance nw (neutral white) approx. 4000 K • supply cable 2,5 m with LED 24 plug • matt chrome 	266 g
202 030 202 01	LED Wardrobe Tube Luminaire 1000mm 9,5W			380 g
202 030 203 01	LED Wardrobe Tube Luminaire 1200mm 11,5W			485 g
Accessories	LED transformers 24V from page 154			

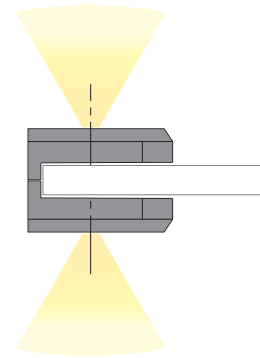
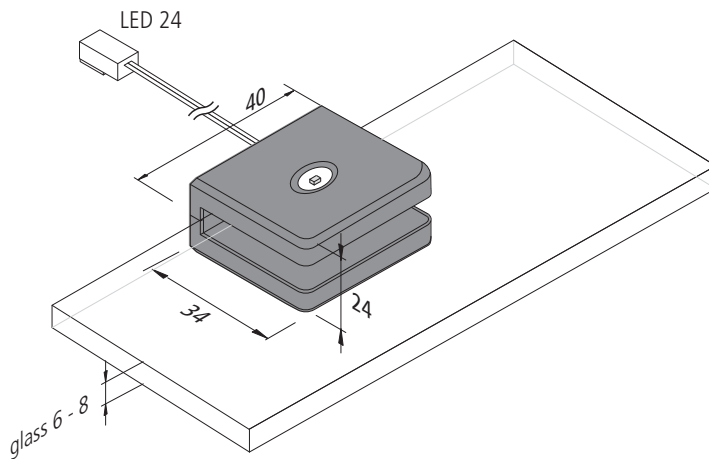
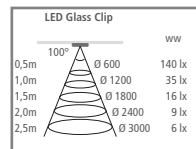
LED Glass Clip

Clipable glass shelf luminaire up + down

New



Connection: LED transformer DC 24 V
Life: L90/B10 ≥ 30.000 hours
Energy efficiency: LED: 110 lm/W; luminaire: 90 lm (75 lm/W); this luminaire contains built-in, irreplaceable LED lamps of the energy class A bis A++
Colour rendering: Ra/CRI > 80
Special features: for glass shelves 6 to 8 mm



Article No.	Description	Illustration	Features	Weight
202 030 030 02	LED Glass Clip 1,2W ww black		<ul style="list-style-type: none"> • colour appearance ww (warm white) approx. 3000 K • supply cable 2,5 m with LED 24 plug 	42 g
202 030 080 02	LED Glass Clip 1,2W ww stainless steel look			42 g
215 300 610 01	LED 24 connecting cable 1,0m		<ul style="list-style-type: none"> • max. 48W • further information on page 156 	9 g
215 300 625 01	LED 24 connecting cable 2,5m			22 g
206 040 011 01	Transformer LED 24/ 15W DC 24V		<ul style="list-style-type: none"> • mains cable 2m with Euro plug • 12-way distributor (5W with 6-way distributor) 	167 g
206 040 012 01	Transformer LED 24/ 30W DC 24V			250 g

LED Zoom

Focusable LED spotlight



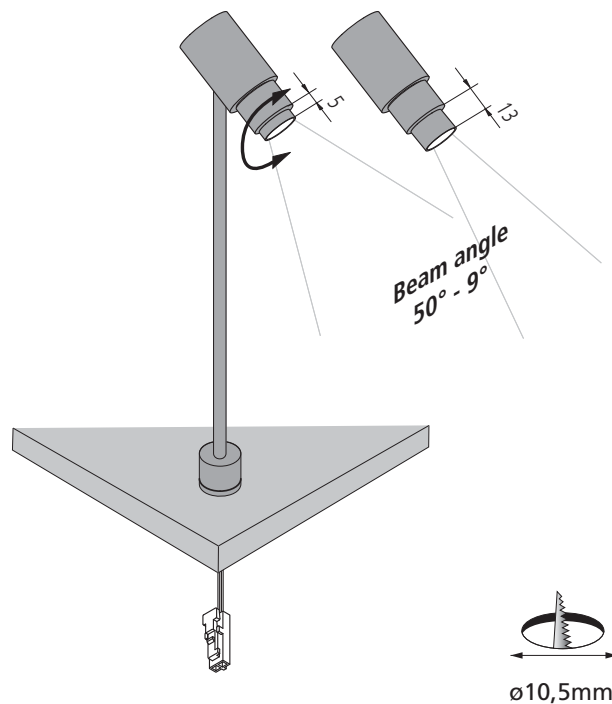
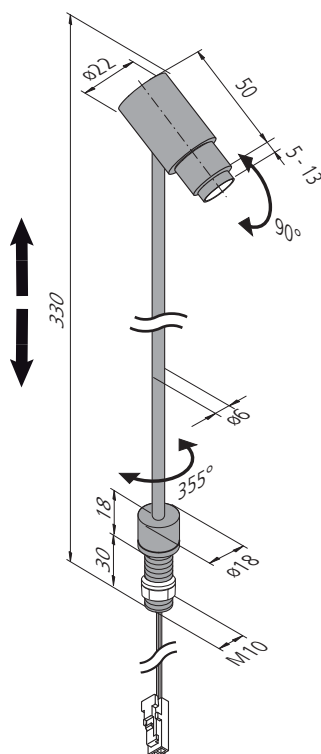
Connection:
Life:
Energy efficiency:

LED transformer DC 350 / 700 mA
L90/B10 ≥ 35.000 hours
LED: 112 lm/W luminaire: 50 / 81 lm (50 / 37 lm/W); this luminaire contains built-in, irreplaceable LED lamps of the energy efficiency class A to A++

LED Zoom 1W / 2,2W		
9°-50°	350mA	700mA
0,5m	∅ 100-410	6300-432 lx
1,0m	∅ 200-820	1575-108 lx
1,5m	∅ 300-1230	700-48 lx
2,0m	∅ 400-1640	394-27 lx
2,5m	∅ 500-2050	252-17 lx

Colour rendering:
Special features:

Ra/CRI > 90
height infinitely variable up to 300 mm; 355° rotating and swiveling by 90°; adjustable beam angle 9 to 50°; suitable LED transformer 350 mA (1 W) or 700 mA (2,2 W)



LED Zoom

Focusable LED spotlight



Article No.	Description	Illustration	Features	Weight
202 029 901 02	LED Zoom 1,0W/2,2W ww anodized aluminium		<ul style="list-style-type: none"> • colour appearance ww (warm white) approx. 3000 K or nw (neutral white) approx. 4000 K • supply cable 2,5 m with LED 24 plug • beam angle 9 to 50° • power 1,0 W at 350 mA or 2,2 W at 700 mA transformer 	88 g
202 029 901 03	LED Zoom 1,0W/2,2W nw anodized aluminium			88 g
202 029 903 02	LED Zoom 1,0W/2,2W ww black		<ul style="list-style-type: none"> • colour appearance ww (warm white) approx. 3000 K or nw (neutral white) approx. 4000 K • supply cable 2,5 m with LED 24 plug • beam angle 9 to 50° • power 1,0 W at 350 mA or 2,2 W at 700 mA transformer 	88 g
202 029 903 03	LED Zoom 1,0W/2,2W nw black			88 g
615 003 022 03	Transformer LED 350/5W with 5-way distributor		<ul style="list-style-type: none"> • mains cable 2 m with Euro plug • for up to 5 luminaires / 350 mA = 1,0 W • larger transformers 350 mA page 162 	57 g
615 003 023 01	Transformer LED 700/15W with 6-way distributor		<ul style="list-style-type: none"> • mains cable 2 m with Euro plug • for up to 6 luminaires / 700 mA = 2,2 W • Minimum load 3 luminaires! • dimmable transformers on request 	220 g

Dim-2-Warm SR 68

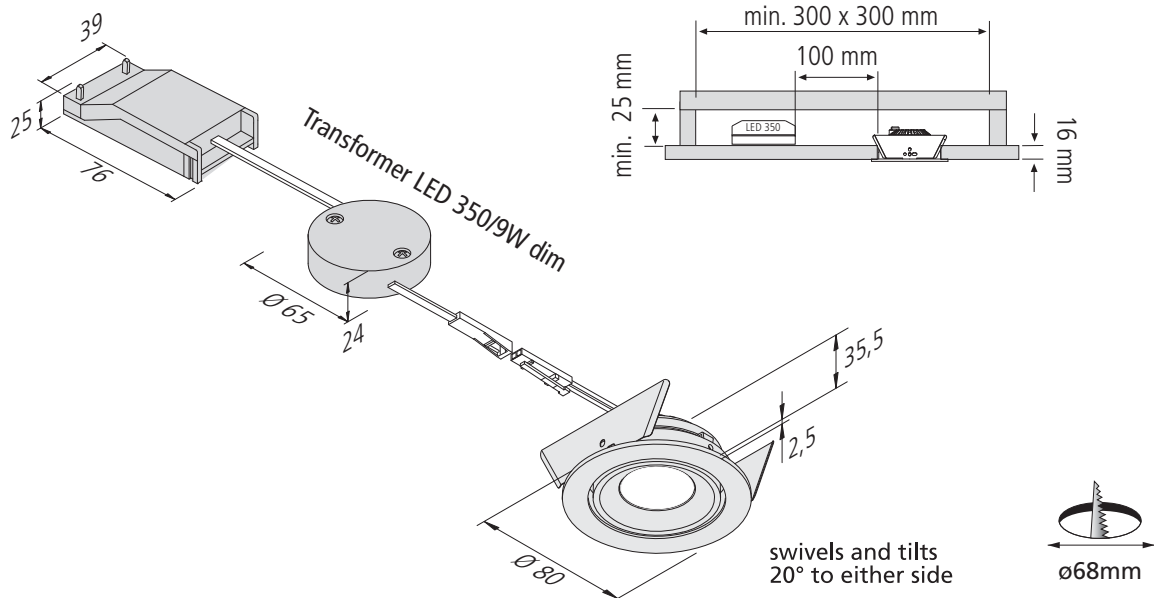
New    





Colour appearance gets warmer while dimming



- Connection:** LED transformer DC 350 mA
- Life:** L70/B10 ≥ 39.000 hours
- Energy efficiency:** LED: 93 lm/W luminaire: 455 lm (70 lm/W); this luminaire contains built-in, irreplaceable LED lamps of the energy efficiency class A to A++
- Colour rendering:** Ra/CRI > 92
- Special features:** swivels and tilts 20° to both sides, metal casing, colour appearance ww (warm white) approx. 3000 K is getting warmer (up to 2000 K) while dimming (trailing edge dimmer only)

Dim-2-Warm SR68		
	ww	
0,5m	Ø 325	3016 lx
1,0m	Ø 650	754 lx
1,5m	Ø 975	335 lx
2,0m	Ø 1300	189 lx
2,5m	Ø 1625	121 lx



Article No.	Description	Illustration	Features	Weight
202 030 102 01	Dim-2-Warm SR 68 6,5W ww white		<ul style="list-style-type: none"> • colour appearance ww (warm white) approx. 3000 K is getting warmer (up to 2000 K) while dimming (trailing edge dimmer only) • supply cable 0,2 m with LED 350 plug 	260 g
202 030 102 06	Dim-2-Warm SR 68 6,5W ww matt chrome			260 g
202 030 102 08	Dim-2-Warm SR 68 6,5W ww stainless steel look			260 g
206 040 015 12	Transformer LED 350/9W dim with one socket		<ul style="list-style-type: none"> • incl. connection terminal for 230V with integrated through-wiring • recommended phase dimmer: Sygonix 33594C or Jung 225TDE 	240 g

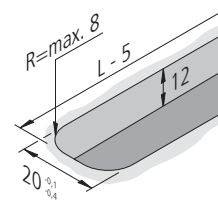
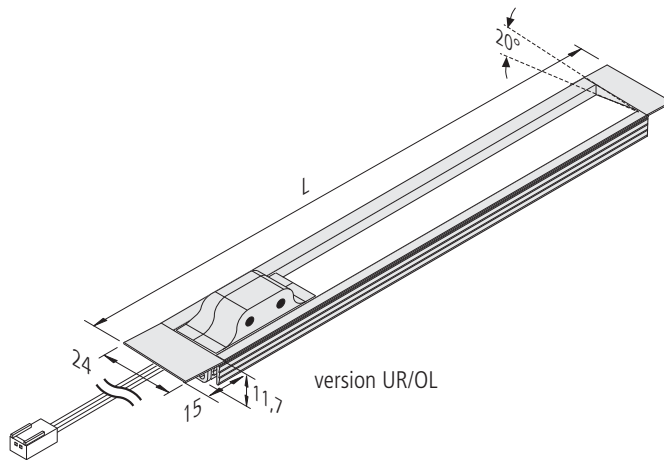
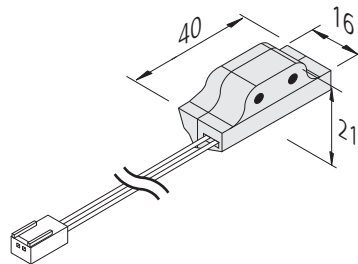
IR-Switch I24

Door Contact Switch for milled profile I24

New



- connection: 24 V DC
- including „soft off“
- range up to 13cm
- for selection in the configurator

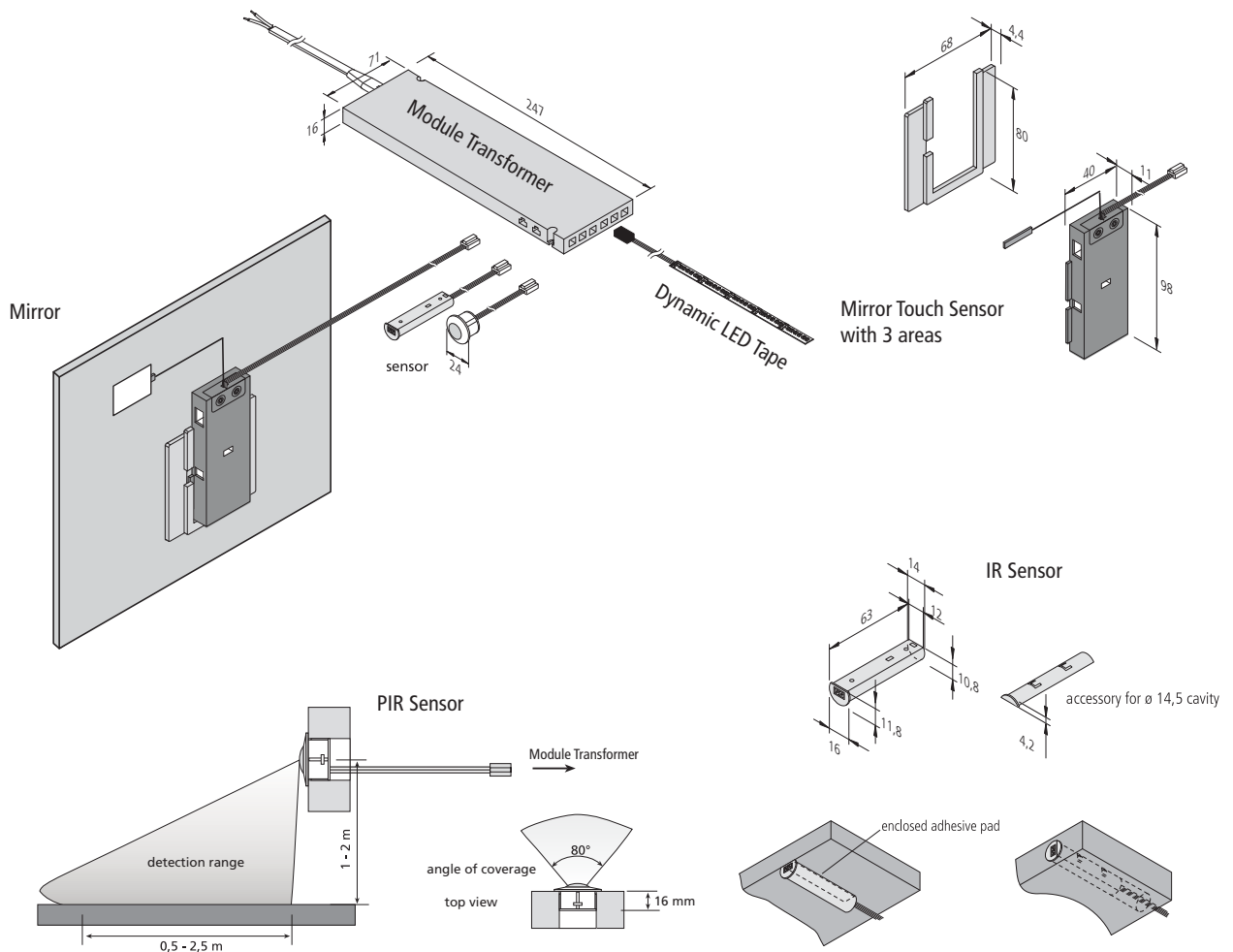


Article No.	Description	Illustration	Features	Weight
217 032 205 03	IR-Switch I24 BR/TL black		<ul style="list-style-type: none"> • connecting cable 2,5 m with LED 24 plug • version Bottom Right or Top Left • max. 48 W 	30 g
217 032 205 08	IR-Switch I24 BR/TL stainless steel		30 g	
217 032 205 13	IR-Switch I24 BL/TR black		<ul style="list-style-type: none"> • connecting cable 2,5 m with LED 24 plug • version Bottom Left or Top Right • max. 48 W 	30 g
217 032 205 18	IR-Switch I24 BL/TR stainless steel		30 g	

Mirror light control

New    

Flexible light control for bathroom, fitting room or shop



Mirror light control

Flexible light control for bathroom, fitting room or shop



- connection: 24 V DC / for dynamic luminaires with dynamic plug
- with memory function (after cut off from mains the last colour and brightness setting is recovered)
- **touch sensor**
 - illuminated 3-way module for gluing behind the mirror
 - by using the slide switch 3 functions are selectable:
 - function 1: area 1 = on / off; area 2 = light colour; area 3 = brightness; when the motion sensor is connected it switches off after the set time
 - function 2: area 1 = 3500 K; area 2 = 2900 K dimmed; area 3 = 5000 K; when the motion sensor is connected it switches to 3500K after the set time
 - function 3: area 1 = 3500 K; area 2 = 2900 K dimmed; Feld 3 = 5000 K; also without motion sensor the light colour changes to 3500K after the set time
- **PIR sensor**
 - PIR motion sensor without twilight mode for a 20mm drill hole
 - 4 preset times adjustable at the module transformer: 16 sec, 3 min, 10min, 30min
- **IR sensor**
 - for 14,5 mm drill holes or to glue with enclosed adhesive pad
 - 2 functions are selectable by using the push-button at the housing:
 - function 1: short approximation = brightness changes from 100 % to 66 % to 33 % to off; long approximation = light colour changes continuously; when the motion sensor is connected it switches off after the set time
 - function 2: short approximation = light colour changes from 2700 K to 4000 K to 5000 K to off; long approximation = brightness changes continuously; when the motion sensor is connected it switches off after the set time

Article No.	Description	Illustration	Features	Weight
208 070 500 01	Mirror Touch Sensor with 3 areas		<ul style="list-style-type: none"> • connecting cable 1,5 m with module-plug • illuminated 	48 g
217 032 303 01	Mirror PIR sensor white		<ul style="list-style-type: none"> • connecting cable 1,5 m with module-plug 	20 g
217 032 205 01	Mirror IR sensor white		<ul style="list-style-type: none"> • connecting cable 1,5 m with module-plug 	22 g
615 003 024 01	Module Transformer 60W 24V		<ul style="list-style-type: none"> • mains cable 1 m with ferrules • with integrated dynamic 6-way distributor 	330 g